

# Kabinenschlösser und -systeme Cabin locks and cabin lock systems

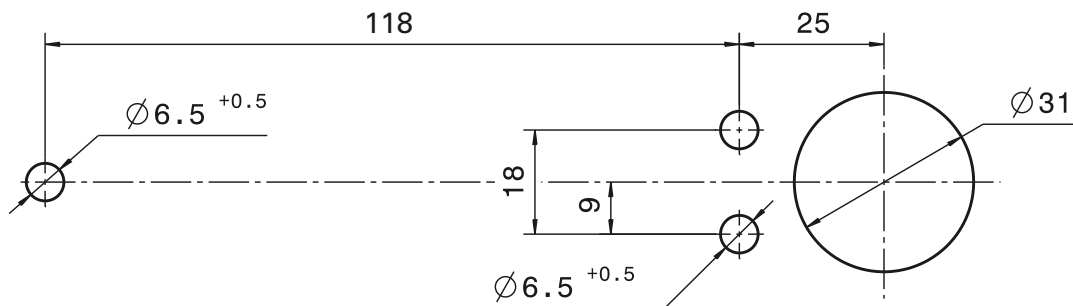
**HAPPICH GmbH**  
Lise-Meitner-Straße 14  
42119 Wuppertal  
Deutschland

Telefon +49 (0)202.87 03 – 0  
Fax +49 (0)202.87 03 – 599  
E-Mail [info@happich.de](mailto:info@happich.de)

[www.happich.de](http://www.happich.de)



#### Wandausschnitt / panel cut-out



**580 0192**

### Schloss-Außengriff

Funktion: drücken  
 vorgerichtet ohne Zylinder  
 mit EPDM Formdichtung  
 Griff: Kunststoff PA 6 GF, schwarz  
 Druckknopf: GD Zn verchromt  
 300 g/St

VE 1 St.

Gesondert bestellen:  
 Schließzylinder und Schlüssel siehe Seite 4 or 5  
 Drehfallenschloss 600 0517 / 0518  
 und für Kabinen-Drehfallenschlösser Seite 81-83.

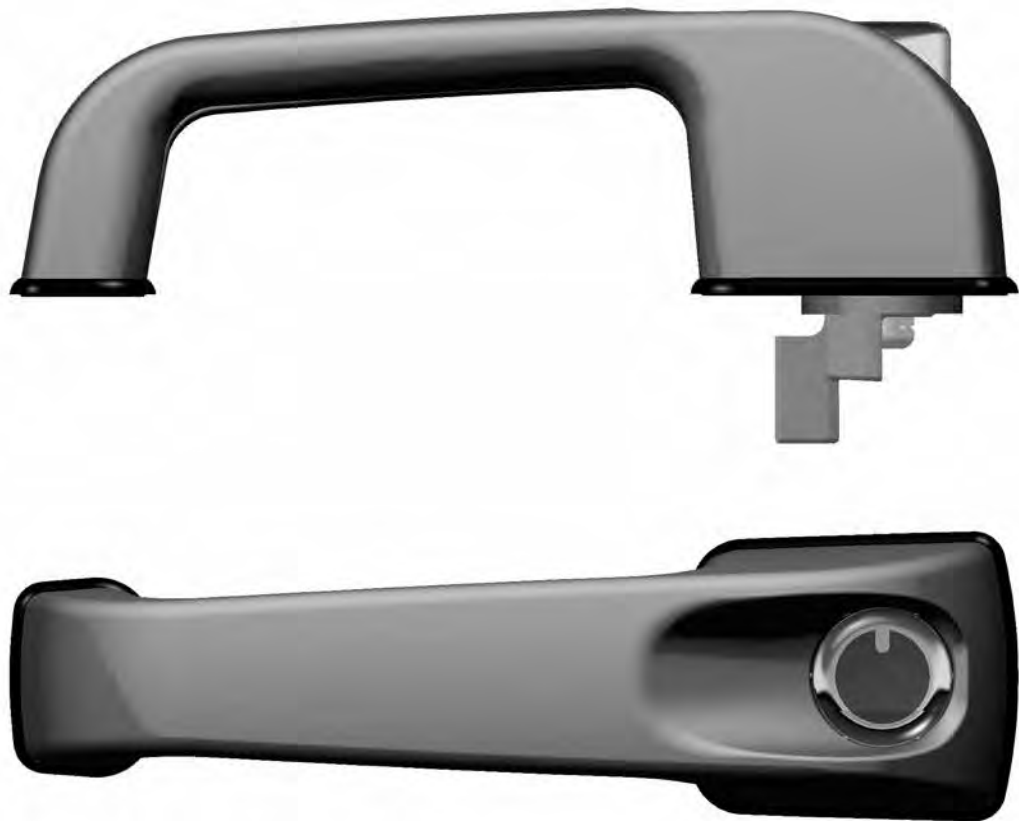
**580 0192**

### Lockable exterior handle

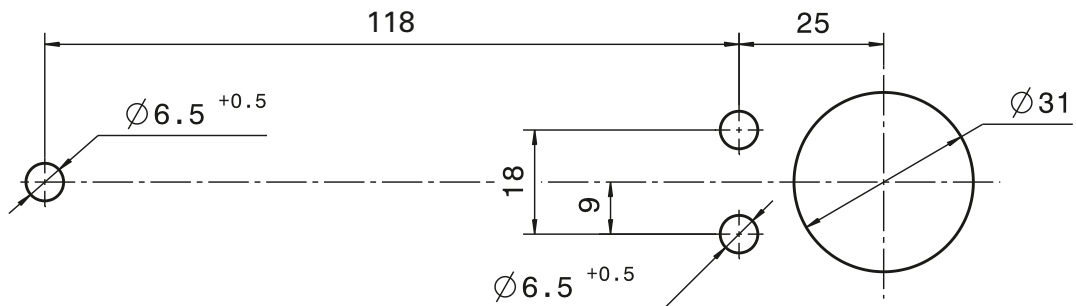
Press operation  
 designed for locking system but without cylinder  
 Moulded rubber seal, EPDM  
 Handle: Plastic PA 6 GF, black  
 Push button: die-cast Zn  
 300 g/each

S.U. 1

Order separately:  
 locking cylinder and key refer to page 4 or 5  
 Rotary catch lock 600 0517 / 0518  
 and for cab rotary latch locks please refer to page 81-83.



### Wandausschnitt / panel cut-out



**580 0193**

### Schloss-Außengriff

Funktion: drücken und drehen  
 vorgerichtet ohne Zylinder  
 mit EPDM Formdichtung  
 Griff: Kunststoff PA 6 GF, schwarz  
 Druckknopf: GD Zn verchromt  
 300 g/St

VE 1 St.

Gesondert bestellen:  
 Schließzylinder und Schlüssel siehe Seite 4 oder 5  
 Drehfallenschloss 600 0501 / 0502

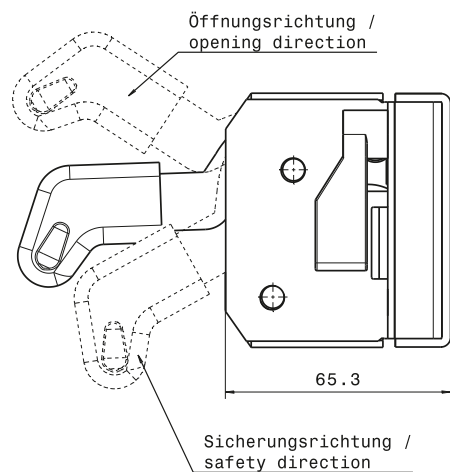
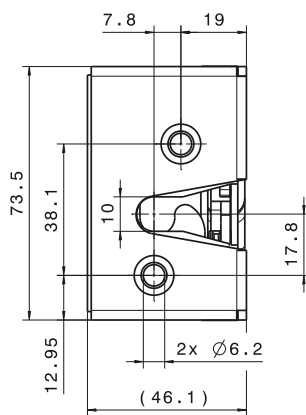
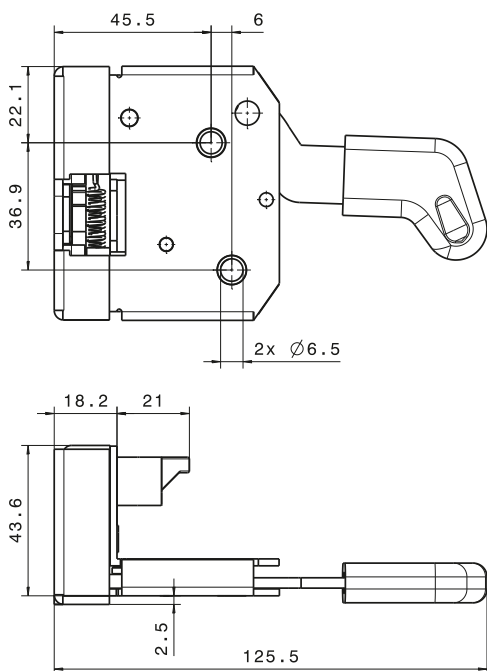
**580 0193**

### Lockable exterior handle

Press and turn operation  
 designed for locking system but without cylinder  
 Moulded rubber seal, EPDM  
 Handle: Plastic PA 6 GF, black  
 Push button: die-cast Zn  
 300 g/each

S.U. 1

Order separately:  
 locking cylinder and key refer to page 4 or 5  
 Rotary catch lock 600 0501 / 0502



- 600 0575** links, ohne Sicherung
- 600 0576** rechts, ohne Sicherung
- 600 0577** links, mit Sicherung
- 600 0578** rechts, mit Sicherung

### Drehfallenschloss

Stahl verzinkt mit Verstärkungsplatte,  
mit montiertem Innendrücker, Kunststoff, schwarz  
Kombinationsmöglichkeiten siehe Seite 34, 37, 40  
480 g/St.

VE 1 St.

Gesondert bestellen:  
Schließbolzen 600 0598,  
Gewindeplatte 600 0585

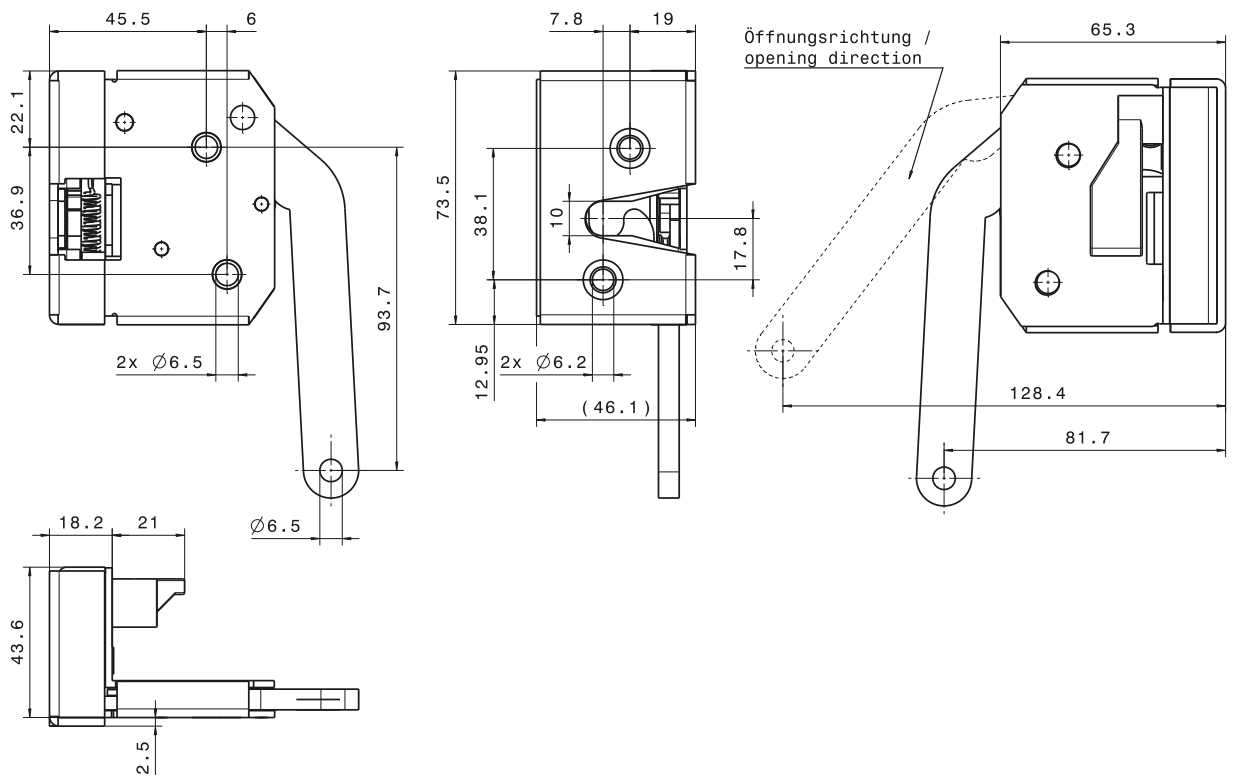
- 600 0575** left, without safety catch
- 600 0576** right, without safety catch
- 600 0577** left, with safety catch
- 600 0578** right, with safety catch

### Rotary latch lock

Zinc-plated steel, with reinforcement plate,  
Pre-assembled plastic, black interior handle  
Please refer to page 34, 37, 40 for possible combinations  
480 g/each

S.U. 1

Order separately:  
Locking bolts 600 0598,  
Threaded plate 600 0585



**600 0581** links  
**600 0582** rechts

### Drehfallenschloss

ohne Sicherung  
 Stahl verzinkt mit Verstärkungsplatte  
 Kombinationsmöglichkeiten siehe Seite 34, 37, 40  
 510 g/St.

VE 1 St.

Gesondert bestellen:  
 Schließbolzen 600 0598,  
 Gewindeplatte 600 0585

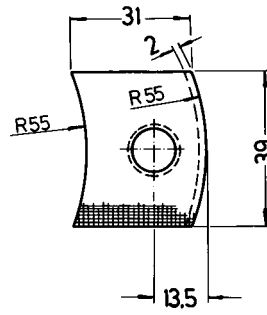
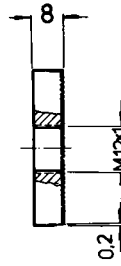
**600 0581** left  
**600 0582** right

### Rotary latch lock

without safety catch  
 Zinc-plated steel, with reinforcement plate  
 Please refer to page 34, 37, 40 for possible combinations  
 510 g/each

S.U. 1

Order separately:  
 Locking bolts 600 0598,  
 Threaded plate 600 0585



**600 0585**

**Gewindeplatte**

zu 600 0575 – 600 0582  
Stahl roh entgratet  
70 g/St.

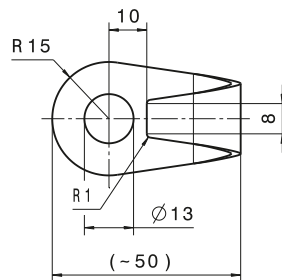
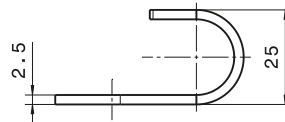
VE 10 St.

**600 0585**

**Threaded plate**

for 600 0575 – 600 0582  
Untreated steel, deburred  
70 g/each

S.U. 10



**600 0606**

**Abweisbügel**

zum Schutz des Schließbolzens  
Stahl schwarz verzinkt  
30 g/St.

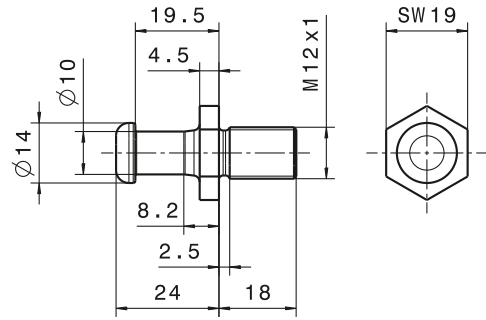
VE 1 St.

**600 0606**

**Guard**

to protect the locking bolt  
Black zinc-plated steel  
30 g/each

S.U. 1



**600 0598**

### Schließbolzen

mit 18 mm Gewindelänge  
zu 600 0575 – 600 0582  
Stahl schwarz passiviert  
40 g/St.

VE 1 St.

Aus Sicherheitsgründen sollte der Schließbolzen nur in Verbindung mit dem Abweisbügel 600 0606 montiert werden.

**600 0598**

### Locking bolt

Thread length 18 mm  
for 600 0575 – 600 0582  
Black zinc-plated steel  
40 g/each

S.U. 1

For safety reasons should the locking bolts only be mounted in connection with guard 600 0606.



# Kabinenschlösser und -systeme Cabin locks and cabin lock systems

**HAPPICH-RIU S.A.**

Avda. Maresme, 44 3<sup>o</sup>-1<sup>a</sup>  
08918 Badalona  
Spain

Phone +34 933 037 600  
Fax +34 933 037 610  
E- Mail [acriu@acriu.com](mailto:acriu@acriu.com)

[www.happich-riu.com](http://www.happich-riu.com)





CERRADURA PUERTA CABINA  
CAB DOOR LOCK

SIN SEGURO  
WITHOUT SAFETY LOCKING DEVICE

- 0399 01**  
MANO IZQUIERDA / LEFT HAND
- 0399 02**  
MANO DERECHA / RIGTH HAND

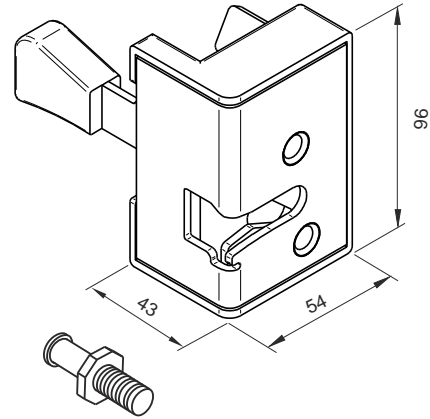
CON SEGURO,  
WITH SAFETY LOCKING DEVICE

- 0399 03**  
MANO IZQUIERDA / LEFT HAND
- 0399 04**  
MANO DERECHA / RIGTH HAND

Acero cincado negro  
Black zinc plated steel

Peso / Weight 450 g

DIBUJO MANO DERECHA  
RIGHT HAND DRAWING



CERRADERO INCLUIDO  
CATH PIN INCLUDED

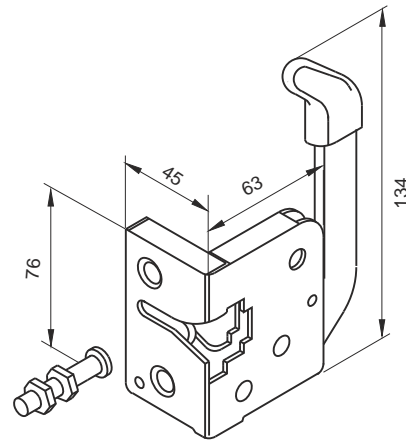
DIBUJO MANO IZQUIERDA  
LEFT HAND DRAWING

- 0414 01**  
CERRADURA PUERTA CABINA,  
MANO IZQUIERDA  
CABIN DOOR LOCK, LEFT HAND

- 0414 02**  
CERRADURA PUERTA CABINA,  
MANO DERECHA  
CABIN DOOR LOCK, RIGTH HAND

Acero cincado  
Zinc plated steel

Peso / Weight 415 g



CERRADERO INCLUIDO  
CATH PIN INCLUDED

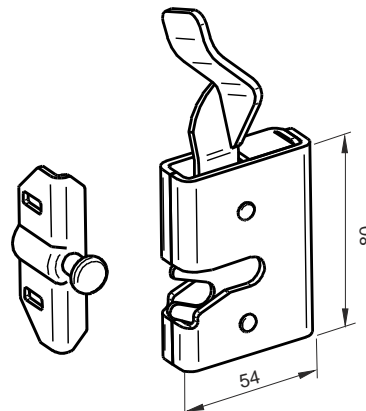
DIBUJO MANO IZQUIERDA  
LEFT HAND DRAWING

- 0424 01**  
CERRADURA CABINA TRACTOR  
IZQUIERDA  
CAB DOOR LOCK LEFT HAND,  
STRIKE PIN INCLUDED

- 0424 02**  
CERRADURA CABINA TRACTOR  
DERECHA  
CAB DOOR LOCK RIGTH HAND,  
STRIKE PIN INCLUDED

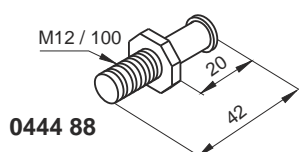
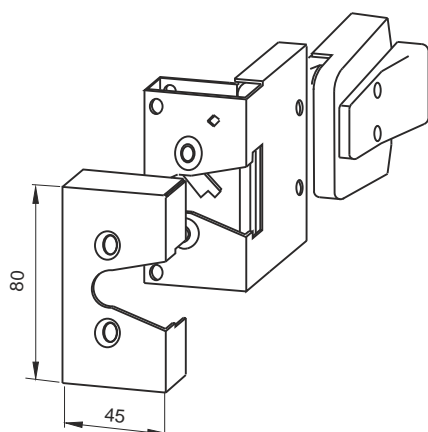
Acero cincado  
Zinc plated steel

Peso / Weight 410 g



CERRADERO INCLUIDO  
CATH PIN INCLUDED

DIBUJO MANO IZQUIERDA  
LEFT HAND DRAWING



CERRADURA PUERTA CABINA  
CAB DOOR LOCK

SIN SEGURO  
WITHOUT SAFETY LOCKING DEVICE  
**0444 31**  
MANO IZQUIERDA / LEFT HAND  
**0444 32**  
MANO DERECHA / RIGTH HAND

CON SEGURO  
WITH SAFETY LOCKING DEVICE

**0444 33**  
MANO IZQUIERDA / LEFT HAND  
**0444 34**  
MANO DERECHA / RIGTH HAND

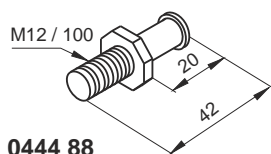
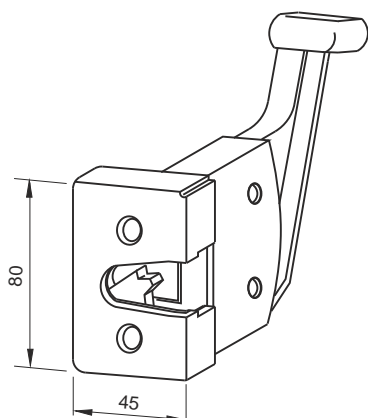
Zamak y plástico, color negro  
Zamak and black plastic

Peso / Weight 525 g

**0444 88**  
CERRADERO PARA CERRADURAS  
STRIKER FOR LOCKS  
0444 31 / 0444 32 / 0444 33 / 0444 34  
0444 41 / 0444 42

Peso / Weight 34 g

DIBUJO MANO IZQUIERDA  
LEFT HAND DRAWING



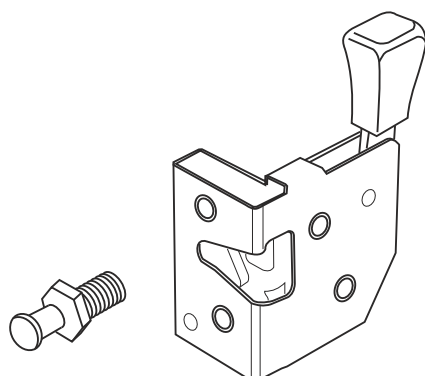
**0444 41**  
CERRADURA PARA CABINA,  
MANO IZQUIERDA  
CABIN DOOR LOCK, LEFT HAND

**0444 42**  
CERRADURA PARA CABINA,  
MANO DERECHA  
CABIN DOOR LOCK, RIGTH HAND

Zamak y plástico, color negro  
Zamak and black plastic

Peso / Weight 325 g

DIBUJO MANO IZQUIERDA  
LEFT HAND DRAWING



**0396 01**  
CERRADURA PUERTA CABINA,  
MANO IZQUIERDA  
CABIN DOOR LOCK,  
LEFT HAND

**0396 02**  
CERRADURA PUERTA CABINA,  
MANO DERECHA  
CABIN DOOR LOCK,  
RIGTH HAND

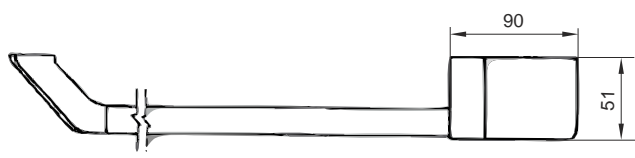
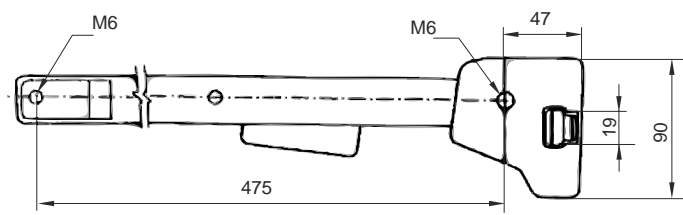
Cerradero incluido  
Straiker included

Acero pintado negro  
Black enameled steel

Peso / Weight 452 g



DIBUJO MANO IZQUIERDA  
LEFT HAND DRAWING



**0397 01**  
CERRADURA CON MANDO  
INTERIOR IZQUIERDA  
DOOR LOCK LEFT HANDS WITH  
PUSH BUTTON

Acero cincado negro  
Black zinc plated steel

Peso / Weight 625 g

**0397 02**  
CERRADURA CON MANDO  
INTERIOR DERECHA  
DOOR LOCK RIGHT HANDS WITH  
PUSH BUTTON

Acero cincado negro  
Black zinc plated steel

Peso / Weight 625 g

# Kabinenschlösser und -systeme Cabin locks and cabin lock systems

**Weston Body Hardware Ltd.**

Crossgate Road  
Park Farm Redditch B98 7SN  
United Kingdom

Phone +44(0)1527 5160600

Fax +44(0)1527 5260600

E-Mail [lockmaster@westonbodyhardware.com](mailto:lockmaster@westonbodyhardware.com)

[www.westonbodyhardware.com](http://www.westonbodyhardware.com)



**9/01830**  
Right-hand latch with fitted cover and integral inside handle

## ANTI-BURST LATCHES FOR OFF-ROAD VEHICLES

Specially developed for agricultural tractors, construction plant and similar off-road vehicles, these latches are easily fitted to single-skin doors, with a neat, moulded trim cover for good appearance.

Latches operate from a push-button handle mounted on the outside panel, so that plunger engages with 'trigger'.

**!** Two-stage rotary action, integral inside release, with fixing holes concealed by trim cover. Steel cover plate reinforces latch to increase strength rating.

**W** 'Handing' shown for front-hinged doors. Reverse handing for front-opening.

**↕** Latch slams against pin-striker, is released by exterior 'trigger' or by lifting inside handle. There is no inside locking function.

**⚙** Attach to door edge by 2 x M6 high-tensile bolts through steel cover plate (which must be used). Trim cover is retained by M6 screw into threaded hole on side-face.

**🔧** Black zinc-plated with moulded trim cover and inside release, bright zinc plated striker.

**T** When rig-tested these latches can achieve values in excess of 8.9KN (2000lb) Transverse load in fully-latched condition. The design is intended for off-road vehicles, and constructors are responsible for evaluating performance in their own particular application and for ensuring that appropriate legislation is satisfied.



### ORDERING CODE

**9/01830** Latch assembly, RH

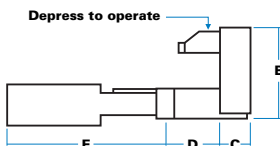
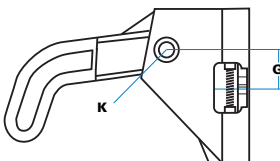
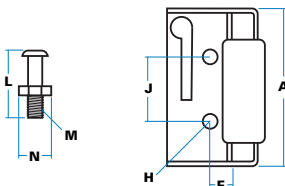
**9/01831** Latch assembly, LH

**9/01832** Striker pin

**Note:** Above assemblies include steel cover plate, moulded trim cover and inside release handle.

### SPECIFICATION

<b>A</b> Height	80 mm
<b>B</b> Width	47 mm
<b>C</b> Depth	17 mm
<b>D</b> Location to hole	26 mm
<b>E</b> Length, handle	80 mm
<b>F</b> Location to face	9 mm
<b>G</b> Location to latch centre	19 mm
<b>H</b> Hole sizes	6 mm
<b>J</b> Hole centres	31.5 mm
<b>K</b> Hole size (Threaded)	M6
<b>L</b> Pin total length	41 mm
<b>M</b> Threaded	12 mm x 1 mm fine pitch
<b>N</b> Hexagon across flats	16 mm



Above drawings include cover plate

View of left-hand latch from exterior, showing 'trigger' for outside release, steel cover plate and moulded trim cover.

