

Verschlusslager Stowage clampes

HAPPICH GmbH

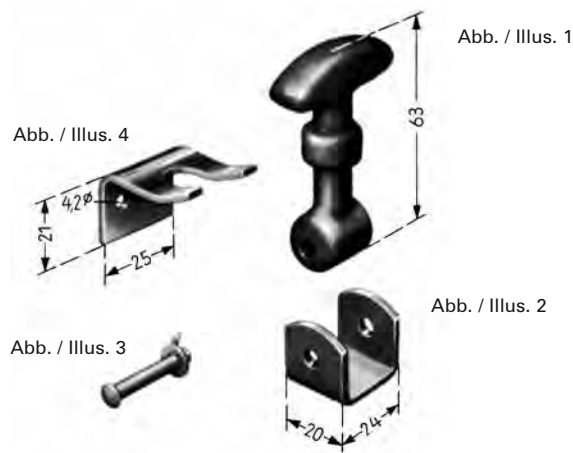
Lise-Meitner-Straße 14
42119 Wuppertal
Deutschland

Telefon +49 (0)202.87 03 – 0
Fax +49 (0)202.87 03 – 599
E-Mail info@happich.de

www.happich.de

Haubenhalter

Swivel catch

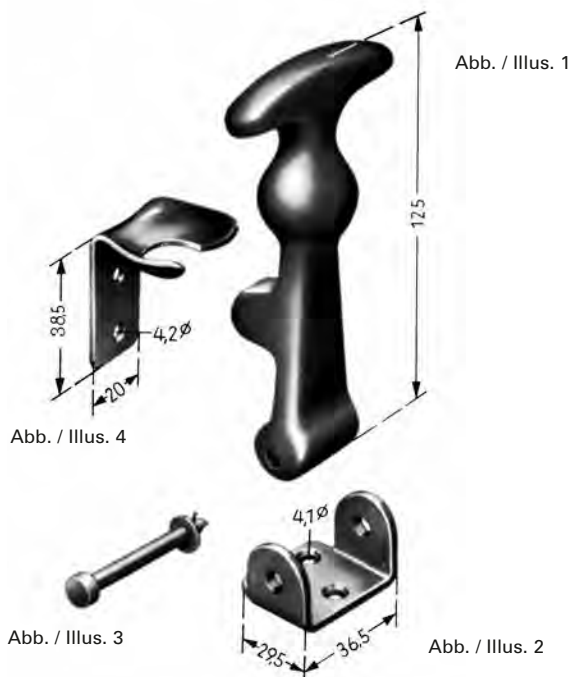


- 602 0191 Gummiteil**, (Abb. 1)
- 602 0192 Anhaker**, (Abb. 4)
- 602 0193 Fuß**, (Abb. 2)
- 602 0194 Bolzen mit Splint**, (Abb. 3)

- 602 0191 Rubber part**, (Illus. 1)
- 602 0192 Hook**, (Illus. 4)
- 602 0193 Foot**, (Illus. 2)
- 602 0194 Bolt with cotter pin**, (Illus. 3)

Gummi schwarz, selbstfettend, lichtrissbeständig
Fuß, Bolzen mit Splint, Anhaker: Stahl verzinkt chromatiert
VE 10 St.

Black rubber, self-greasing, light-resistant
Foot, bolt with pin, hook: Zinc-plated steel, chromated
S.U. 10



- 602 0024 Gummiteil**, (Abb. 1)
- 602 0025 Fuß**, (Abb. 2)
- 602 0026 Anhaker**, (Abb. 4)
- 602 0027 Bolzen mit Splint**, (Abb. 3)

- 602 0024 Rubber part**, (Illus. 1)
- 602 0025 Foot**, (Illus. 2)
- 602 0026 Hook**, (Illus. 4)
- 602 0027 Bolt with cotter pin**, (Illus. 3)

Gummi schwarz, selbstfettend, lichtrissbeständig
Fuß, Bolzen mit Splint, Anhaker: Stahl verzinkt chromatiert
VE 10 St.

Black rubber, self-greasing, light-resistant
Foot, bolt with pin, hook: Zinc-plated steel, chromated
S.U. 10



602 0149 Stahl grün grundiert
602 0432 Stahl verzinkt
602 0708 Stahl schwarz (KTL beschichtet)

Verschlusslager

für Klauenbeil 60 VG 75073
 Spannband: Gummi schwarz
 145 g/St. VE 10 St.

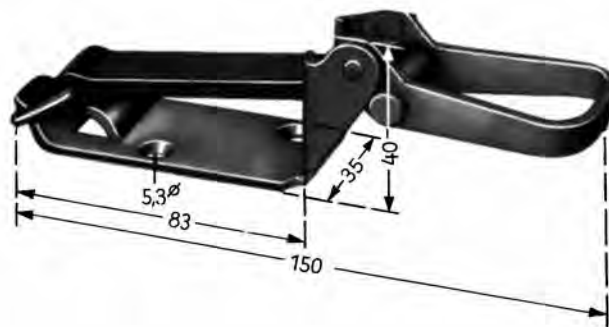
Gesondert bestellen:
 Ersatzbedarf: Gummispannband 602 0172 VE 50 St.

602 0149 green primed steel
602 0432 zinc-plated steel
602 0708 black steel, (Cdp coated)

Stowage clamp

for claw axe 60 VG 75073
 Tension strap: black rubber
 145 g/each S.U. 10

Order separately:
 Spares: Rubber strap 602 0172 S.U. 50



602 0150 Stahl grün grundiert
602 0433 Stahl verzinkt
602 0709 Stahl schwarz (KTL beschichtet)

Verschlusslager

für Spaten 77,5 VG 75073
 Spannband: Gummi schwarz
 146 g/St. VE 10 St.

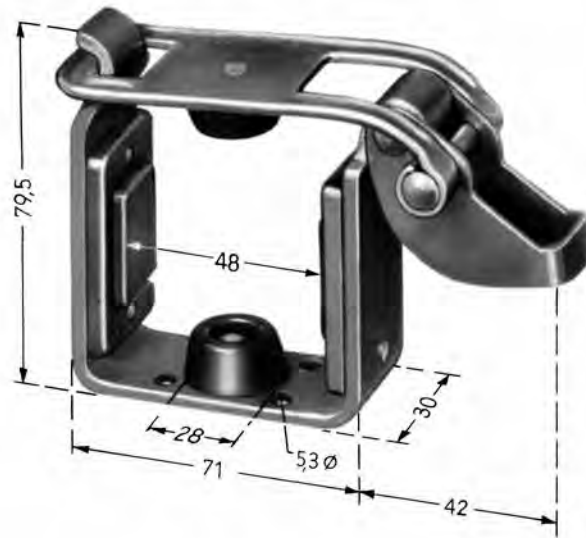
Gesondert bestellen:
 Ersatzbedarf: Gummispannband 602 0171 VE 50 St.

602 0150 green primed steel
602 0433 zinc-plated steel
602 0709 black steel (cdp coated)

Stowage clamp

for spade 77.5 VG 75073
 Tension strap: black rubber
 146 g/each S.U. 10

Order separately:
 Spares: Rubber strap 602 0171 S.U. 50



602 0147

Verschlusslager

Stahl roh / Gummipuffer schwarz
320 g/St.

VE 10 St.

602 0147

Stowage clamp

Untreated steel / black rubber stops
320 g/each

S.U. 10



602 0276

Verdeckverschluss

nachstellbar
GD Zn verchromt
Schrauben, U-Scheiben: Stahl verchromt
210 g/St.

VE 1 St.

602 0276

Hood catch

Adjustable
Chrome-plated die-cast Zn
Screws and base plates: chrome-plated steel
210 g/each

S.U. 1



602 0295

Verdeckverschluss

GD Zn verchromt
97 g/St.

VE 1 St.

602 0295

Hood catch

Chrome-plated die-cast Zn
97 g/each

S.U. 1



Verschlusslager Stowage clampes

HAPPICH-RIU S.A.

Avda. Maresme, 44 3^o-1^a
08918 Badalona
Spain

Phone +34 933 037 600
Fax +34 933 037 610
E- Mail acriu@acriu.com

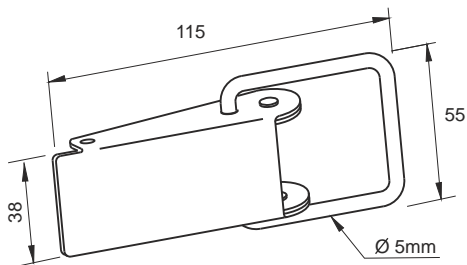
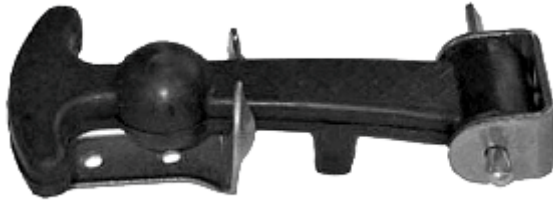
www.happich-riu.com



CIERRES DE CAPO

*

FASTENERS

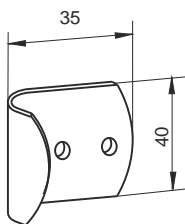


0628 00

CIERRE CAPOT 115 mm SIN UÑA
BONNET FASTENER 115 mm,
WITHOUT HOOK

Acero cincado
Zinc plated steel

Peso / Weight 170 g

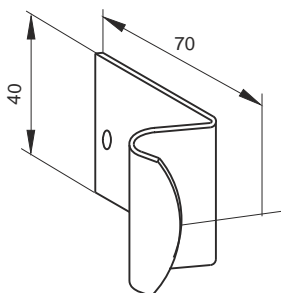


0628 10

UÑA DE ENGANCHE PLANA
FLAT HOOK

Para / For 0628 00, 0630 00, 0631 00

Peso / Weight 25 g



0628 20

UÑA DE ENGANCHE
FORMA ANGULO
ANGLE HOOK

Para / For 0628 00, 0630 00, 0631 00

Peso / Weight 51 g



0629 00
CIERRE CAPOT ANILLA
REGULABLE SIN UÑA
BONNET FASTENER
ADJUSTABLE WITHOUT HOOK

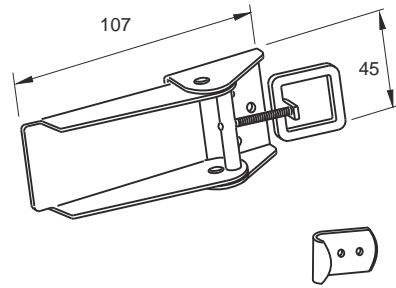
Acero cincado
Zinc plated steel

Peso / Weight 160 g.

0629 10
UÑA DE ENGANCHE PLANA
SPARE FLAT HOOK

Para / For 0629 00

Peso / Weight 15 g



DIBUJO CIERRE ABIERTO
OPEN DRAWING CLOSE

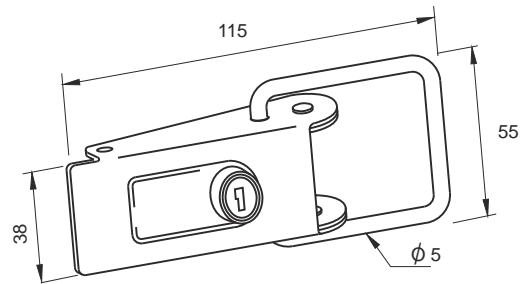
0630 00
CIERRE CAPOT CON
LLAVE 115 mm SIN UÑA
BONNET FASTENER WITH
LOCKING KEY, WITHOUT HOOK

0630 02
CIERRE CAPOT CON LLAVES
IGUALES 115 mm SIN UÑA
BONNET FASTENER WITH
SAME LOCKING KEY
WITHOUT HOOK

Acero cincado
Zinc plated steel

Peso / Weight 220 g

Usa uñas 0628 10 y 0628 20
Fit hook 0628 10 & 0628 20

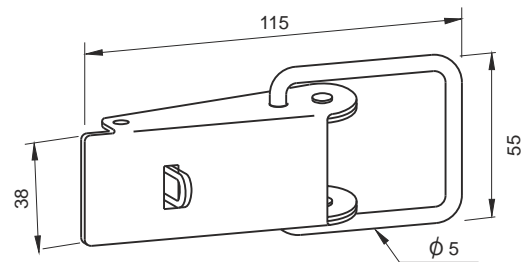


0631 00
CIERRE CAPOT CON PORTA
CANDADO 115 mm SIN UÑA
BONNET FASTENER FOR
PADDLE HOOP, WITHOUT HOOK

Acero cincado
Zinc plated steel

Peso / Weight 140 g

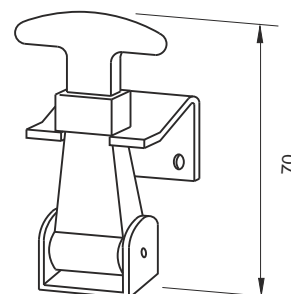
Usa uñas 0628 10 y 0628 20
Fit hook 0628 10 & 0628 20

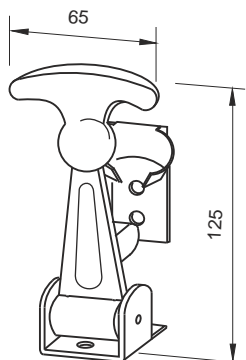


0640 00
CIERRE CAPOT MIGNON
70 mm
BONNET FASTENER SMALL
SIZE 70 mm

Goma negra
herrajes en acero cincado
Black rubber, zinc plated steel

Peso / Weight 60 g





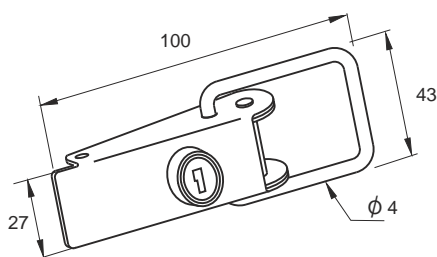
0644 00
CIERRE CAPOT 120 mm
BONNET FASTENER 120 mm

Goma negra, herrajes en acero cincado
Black rubber, zinc plated steel

Peso / Weight 120 g

0644 01
RECAMBIO GOMA SOLA
SPARE BLACK RUBBER

Peso / Weight 65 g



0632 00
CIERRE CAPOT CON LLAVE
100 mm SIN UÑA
BONNET FASTENER WITH
LOCKING KEY, WITHOUT HOOK

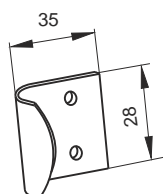
Acero cincado / Zinc plated steel

Peso / Weight 120 g
Usa uñas / Use nails
0632 10 y 0632 20

0632 80 INOX - S.S.
CIERRE CAPOT CON LLAVE
100 mm SIN UÑA
BONNET FASTENER WITH
LOCKING KEY, WITHOUT HOOK

Acero inoxidable / Stainless steel

Peso / Weight 130 g
Usa uñas / Use nails
0632 81 y 0632 82



0632 10
UÑA DE ENGANCHE PLANA
SPARE FLAT HOOK

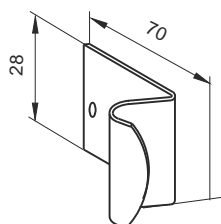
Para / For 0632 00, 0633 00
Acero cincado / Zinc plated steel

Peso / Weight 29 g

0632 81 INOX - S.S.
UÑA DE ENGANCHE PLANA
SPARE FLAT HOOK

Para / For 0632 80, 0633 80
Acero inoxidable / Stainless steel

Peso / Weight 22 g



0632 20
UÑA DE ENGANCHE ANGULO
SPARE ANGLE HOOK

Para / For 0632 00, 0633 00
Acero cincado / Zinc plated steel

Peso / Weight 29 g

0632 82 INOX - S.S.
UÑA DE ENGANCHE ANGULO
SPARE ANGLE HOOK

Para / For 0632 80, 0633 80
Acero inoxidable / Stainless steel

Peso / Weight 22 g

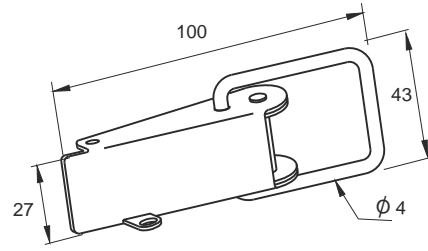


0633 00

CIERRE CAPOT CON PORTA
CANDADO 100 mm SIN UÑA
BONNET FASTENER WITH
PADDLE HOOP, WITHOUT HOOK

Acero cincado / Zinc plated steel
Peso / Weight 80 g

Usa uñas 0632 10 y 0632 20



INOX - S.S.

0633 80

CIERRE CAPOT CON PORTA
CANDADO 100 mm SIN UÑA
BONNET FASTENER WITH
PADDLE HOOP, WITHOUT HOOK

Acero inoxidable / Stainless steel

Peso / Weight 90 g

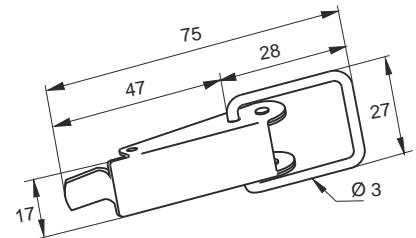
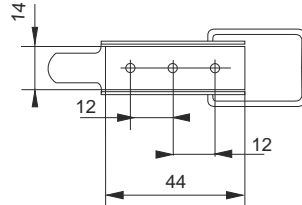
Usa uñas 0632 81 y 0632 82

0634 00

CIERRE CAPOT 75 mm SIN UÑA
BONNET FASTENER 75 mm,
WITHOUT HOOK

Acero cincado
Zinc plated steel

Peso / Weight 26 g.



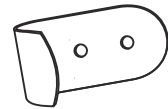
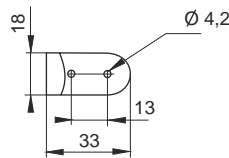
0634 10

UÑA DE ENGANCHE PLANA
SPARE FLAT HOOK

Para / For 0634 00

Acero cincado
Zinc plated steel

Peso / Weight 7 g



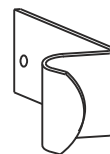
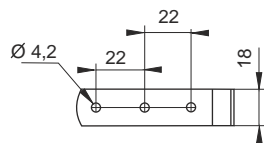
0634 20

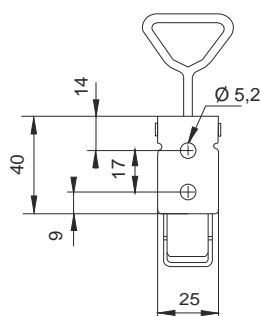
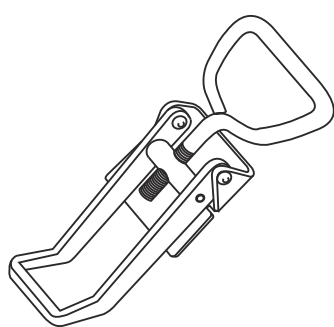
UÑA DE ENGANCHE
FORMA ANGULO
SPARE ANGLE HOOK

Para / For 0634 00

Acero cincado
Zinc plated steel

Peso / Weight 19 g

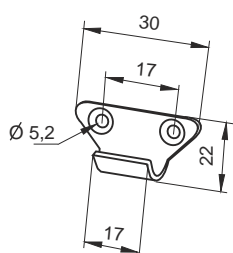




0636 10
CIERRE CAPOT GRADUABLE
SIN CERRADERO 123 mm
AGJUSTABLE BONNET FASTENER
WITHOUT HOOK 123 mm

Acero cincado
Zinc plated steel

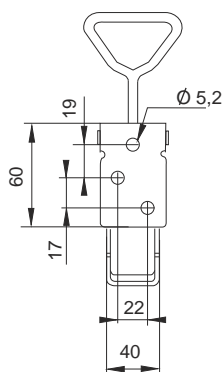
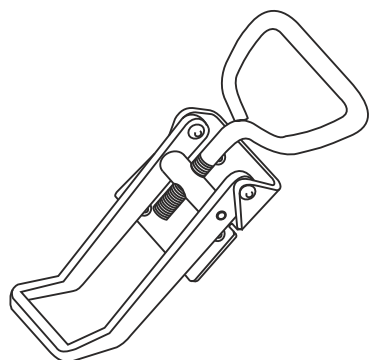
Peso / Weight 74 g.



0636 15
UÑA DE ENGANCHE PLANA
PARA CIERRE 0636 10
FASTENER 0636 10
SPARE FLAT HOOK

Acero cincado
Zinc plated steel

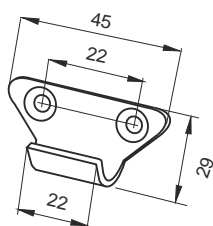
Peso / Weight 14 g



0636 20
CIERRE CAPOT GRADUABLE
SIN CERRADERO 165 mm
AGJUSTABLE BONNET FASTENER
WITHOUT HOOK 165 mm

Acero cincado
Zinc plated steel

Peso / Weight 207 g



0636 25
UÑA DE ENGANCHE PLANA
PARA CIERRE 0636 20
FASTENER 0636 20
SPARE FLAT HOOK

Acero cincado
Zinc plated steel

Peso / Weight 32 g



0660 00
CIERRE CAJON 140 mm SIN UÑA
BONNET FASTENER 140 mm ,
WITHOUT HOOK

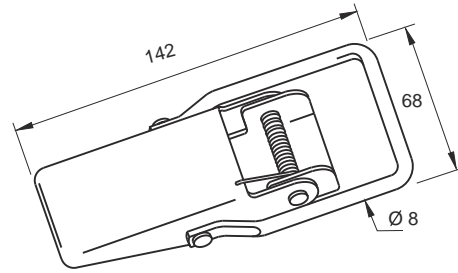
Acero cincado / Zinc plated steel

Peso / Weight 350 g

0660 10 INOX - S.S.
CIERRE CAJON 140 mm SIN UÑA
BONNET FASTENER 140 mm ,
WITHOUT HOOK

Acero inoxidable / Stainless steel

Peso / Weight 350 g



0660 02
UÑA DE ENGANCHE
FORMA ANGULO
SPARE ANGLE HOOK

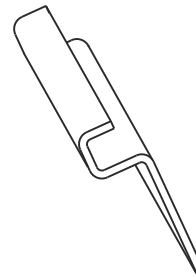
Acero cincado / Zinc plated steel

Peso / Weight 85 g

0660 12 INOX - S.S.
UÑA DE ENGANCHE
FORMA ANGULO
SPARE ANGLE HOOK

Acero inoxidable / Stainless steel

Peso / Weight 86 g

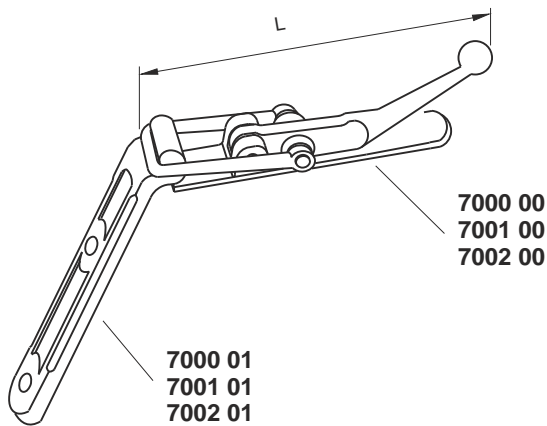




CERRAJERIA DE CAJA

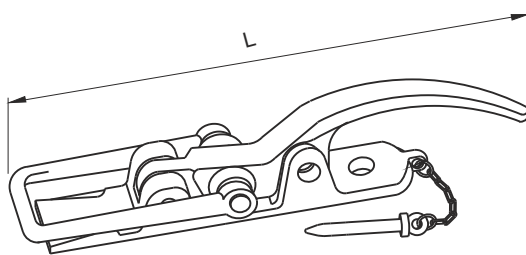
*

BODY HARDWARE



CIERRE MODELO CATALAN
LEVER LOCK
Acero forjado / Forged steel

	Largo <i>Length</i> mm	Peso <i>Weight</i> g	Uña <i>Keeper</i> Art N.
7000 00	150	310	7000 01
7001 00	190	480	7001 01
7002 00	270	500	7002 01



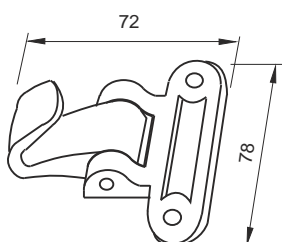
7015 00
CIERRE MODELO "E" CON
SEGURO L=190 mm
LEVER LOCK WITH LOCKING
PIN LENGTH 190mm
Acero forjado / Forged steel

Peso / Weight 595 g

7016 00
CIERRE MODELO "E"
CON SEGURO L=270 mm
LEVER LOCK WITH LOCKING
PIN LENGTH 270 mm

Acero forjado / Forged steel

Peso / Weight 960 g



7062 00
ENGANCHE SAURER
BASE VERTICAL
VERTICAL BRACKET
SAURER KEEPER

Acero forjado / Forged steel

Peso / Weight 270 g

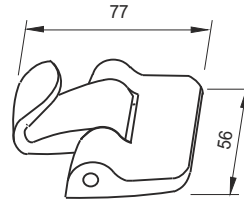
CERRAJERIA DE CAJA - CIERRES FORJADOS
BODY HARDWARE - BARE STEEL LATCHES



7065 10
ENGANCHE SAURER
BASE CORTA
*SMALL BRACKET SAURER
KEEPER*

Acero forjado / Forged steel

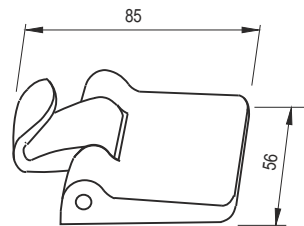
Peso / Weight 300 g

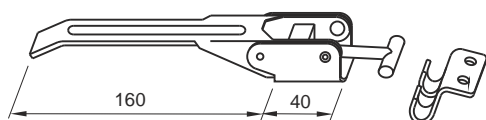


7065 20
ENGANCHE SAURER
BASE LARGA
*LARGE BRACKET SAURER
KEEPER*

Acero forjado / Forged steel

Peso / Weight 370 g

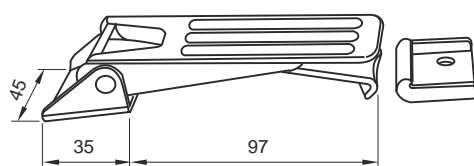




7108 00
CIERRE REGULABLE
CON CERRADERO
ADJUSTABLE FASTENER
WITH HOOK

Acero cincado / Zinc plated steel

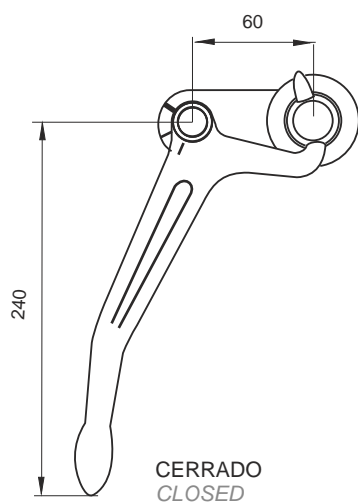
Peso / Weight 300 g



7109 00
CIERRE REGULABLE
CON CERRADERO
ADJUSTABLE BONNET HOOK
COMPLETE WITH HOOK

Acero cincado / Zinc plated steel

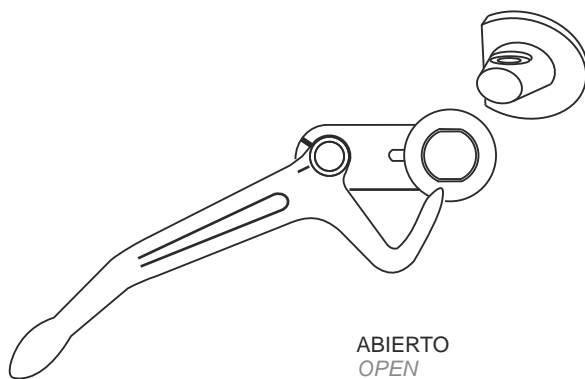
Peso / Weight 170 g



7125 00
JUEGO CIERRE LATERALES
AMBAS MANOS
DROP BOARD LOCK KIT
BOTH HANDS

Acero forjado / Forged steel

Peso / Weight 940 g

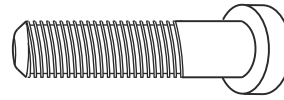




PIVOTE ROSCADO
THREADED PIN

Acero forjado
Forged steel

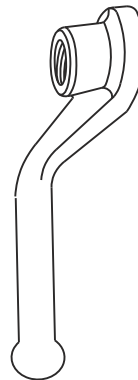
	Rosca Filleted W	Peso Weight g
7136 00	5/8	95
7137 00	3/4	180
7138 00	7/8	220
7139 00	1"	300



MANERAL ROSCADO
THREADED HANDLE

Acero forjado
Forged steel

	Rosca Filleted W	Peso Weight g
7131 00	5/8	240
7132 00	3/4	290
7133 00	7/8	395
7134 00	1"	395



7141 01
CIERRE ALEMÁN PEQUEÑO
PARTE MACHO A = 80 mm
*SMALL DROP BOARD LOCK
MALE PART*

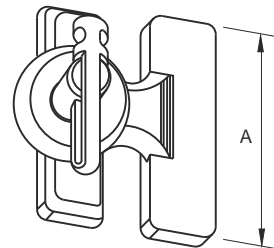
Acero forjado / Forged steel

Peso / Weight 190 g

7141 02
CIERRE ALEMÁN PEQUEÑO
PARTE HEMBRA A = 80 mm
*SMALL DROP BOARD LOCK
FEMALE PART*

Acero forjado / Forged steel

Peso / Weight 190 g





7112 00
CIERRE TIPO PESCA CON MUELLE
DE PRESION
SPRING LOADED LOCK

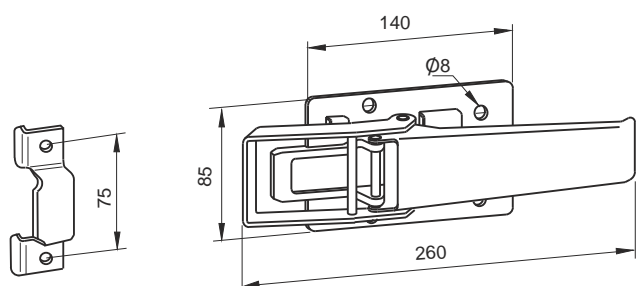
Acero cincado / Zinc plated steel

Peso / Weight 1030 g

7112 11
ENGANCHE ATORNILLAR
PARA 7112 00
HOOK TO SCREW FOR 7112 00

Acero cincado / Zinc plated steel

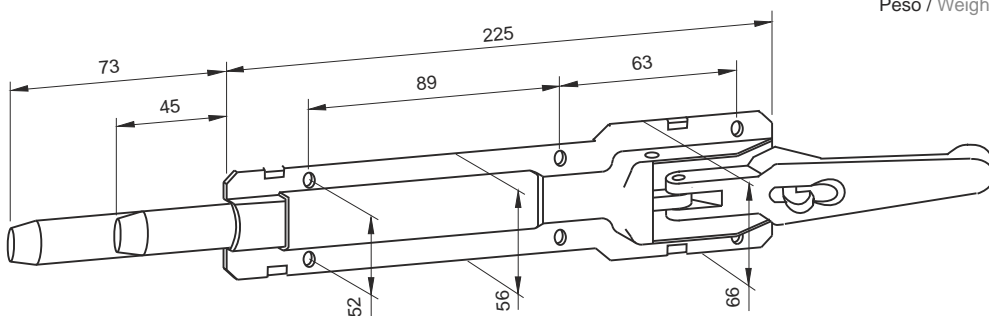
Peso / Weight 100 g



7126 00
PASADOR PALANCA CON MUELLE
DROP BOARD LOCK WITH HANDLE

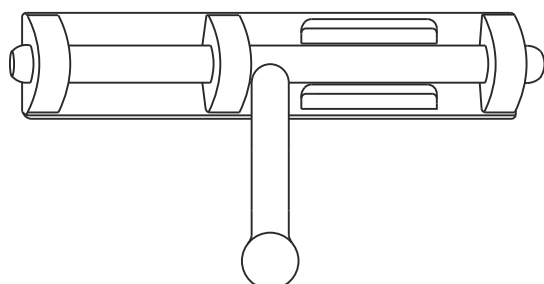
Acero cincado / Zinc plated steel

Peso / Weight 910 g



PASADOR FORMA CERROJO
BOLT FORM LOCK

Acero forjado / Forged steel



Diámetro Varilla <i>Diameter Rod</i>	L mm <i>L mm</i>	Peso g <i>Weight g</i>	Usa Bisagra <i>Fit to hinge</i>
------------------------------------------------	----------------------------	----------------------------------	-------------------------------------------

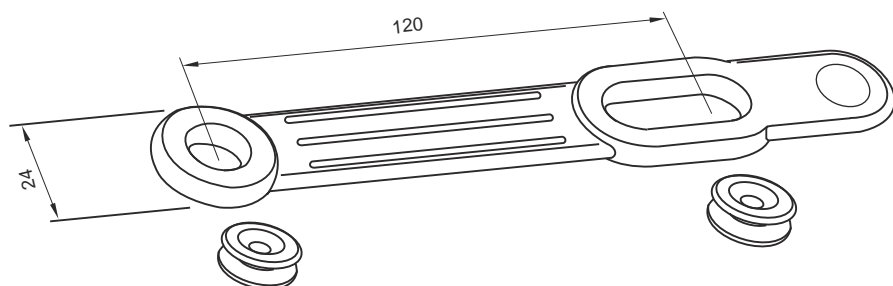
7171 00	16 mm	150	890	7591 00
7172 00	19 mm	170	1090	7592 00



5306 12
TIRANTE TPE NEGRO
RUBBER CHECK BLACK TPE

Unidad venta / Sale unit
Bolsa / bag = 10 u

Peso / Weight 166 g



TIRANTE GOMA DOS ANILLAS
TWO RINGS RUBBER STRETCHER

Goma negra
Rubber black colour

EN BOLSAS DE 10 UNIDADES
10 UNITS BAG

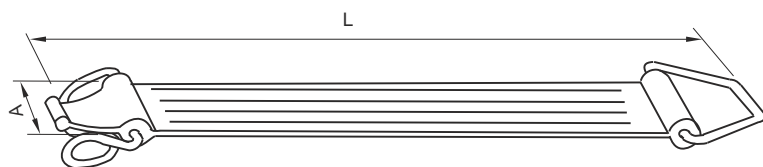


	Medidas mm		Peso
	Sizes mm		
	A	L	g
5305 10	30	135	40
5305 20	30	175	50
5305 30	30	280	60

TIRANTE GOMA DOS ANILLAS
TWO RINGS RUBBER STRETCHER

Goma negra
Rubber black colour

EN BOLSAS DE 10 UNIDADES
10 UNITS BAG



	Medidas mm		Peso
	Sizes mm		
	A	L	g
5305 35	30	390	65



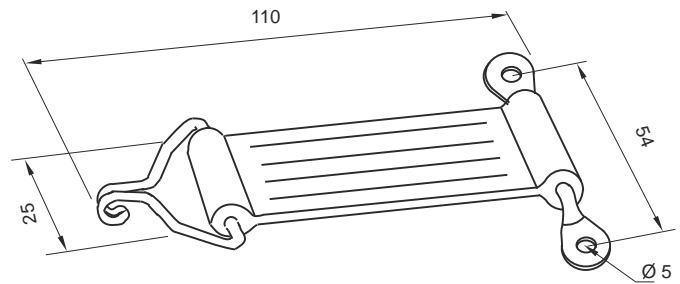
5307 08

TIRANTE GOMA CON GANCHO Y BRIDA
RUBBER CHECK WITH HOOK
AND CLAMP

Goma negra
Black rubber

En bolsas de 10 u
10 u bag

Peso / Weight 33 g

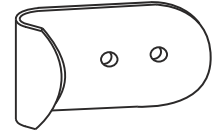
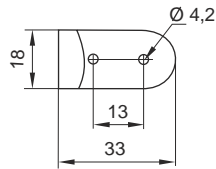


0634 10

UÑA DE ENGANCHE PLANA
SPARE FLAT HOOK

Acero cincado
Zinc plated steel

Peso / Weight 7 g

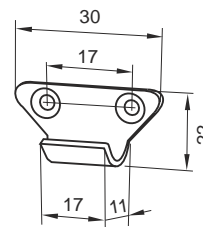


0636 15

UÑA DE ENGANCHE PLANA
SPARE FLAT HOOK

Acero cincado
Zinc plated steel

Peso / Weight 14 g



Verschlusslager Stowage clampes

Weston Body Hardware Ltd.

Crossgate Road
Park Farm Redditch B98 7SN
United Kingdom

Phone +44(0)1527 5160600

Fax +44(0)1527 5260600

E-Mail lockmaster@westonbodyhardware.com

www.westonbodyhardware.com

MOULDED OVER-CENTRE CATCH

9/01984
Catch & striker
assembly

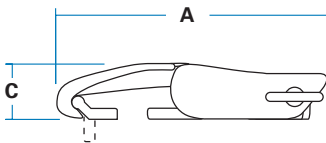
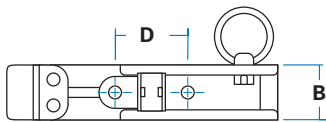


ORDERING CODE

9/01984 Moulded over-centre catch
& striker assembly

SPECIFICATION

A Length (overall)	125 mm
B Width	25 mm
C Height (max)	26 mm
D Hole centres (base)	33.4 mm
E Hole Sizes	5 mm c/s 8 mm
F Max 'draw'	20 mm



9/00285
Short catch &
Striker Plate



9/00284
long catch &
Striker Plate



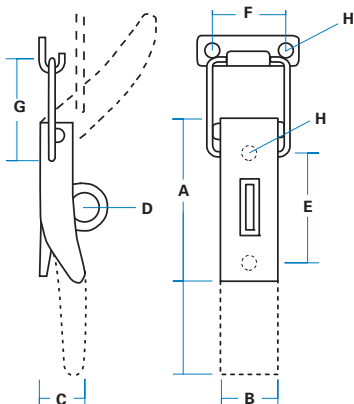
ORDERING CODE

9/00284 Overcenter catch/hook - long

9/00285 Overcenter catch/hook - short

SPECIFICATION

A Length (long model)	130 mm
Length (short model)	66 mm
B Width	25 mm
C Height	20 mm
D Loop Diameter	10 mm
E Hole Centres	34 mm
F Hole Centres	32 mm
G Max. Open	52 mm (short) 80 mm (long)
Closed	42 mm (short) 60 mm (long)
H Hole Sizes	5 mm



! The reinforced 'hook' is brought over the striker plate, and the centre section is pressed down to achieve over-centre action. Maximum 'draw' is 20mm. The press-fit finger-loop secures centre to base-plate.

⚙ Fully plant-on, secured by bolts or rivets to panel surfaces.

🔧 Black self-colour with lightly textured finish.

PADLOCKABLE OVER-CENTRE CATCHES

Steel over-centre catches with loop for padlock and hooked striker plate. Two body lengths are available as shown, with maximum 'draw' of 20 mm. Finish is clear zinc plated, with black, or stainless steel to special order.



9/02094
locking unit
c/w striker plate

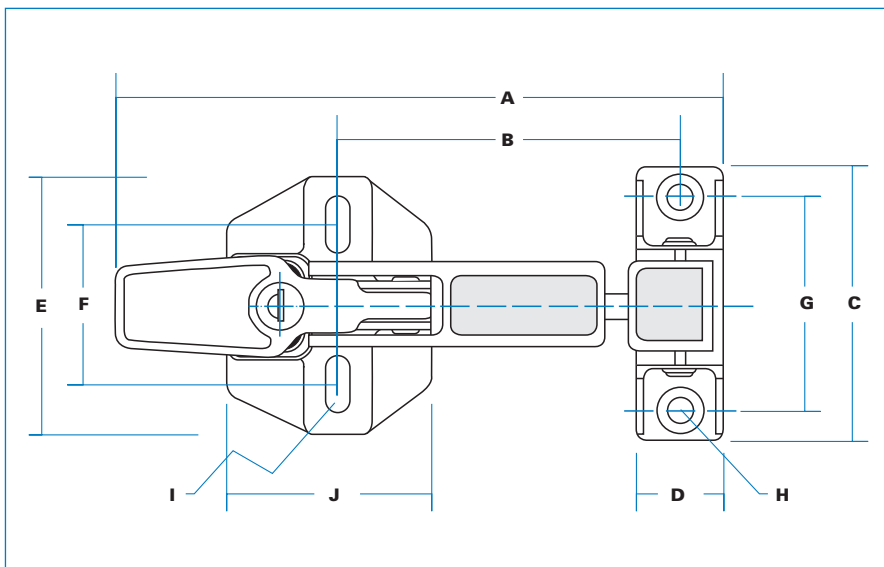
9/02096
non-locking unit
c/w striker plate

ORDERING CODE

9/02094	Locking unit, with striker plate, black
9/02094/01	As above, FT 111
9/02096	Non-locking unit, with striker plate, black

SPECIFICATION

A Total Length	212 mm
B Length to striker pin	120 mm
C Max width (base)	96 mm
D Length (base)	30 mm
E Max width (strickers)	93 mm
F Hole centres (strickers)	58 mm
G Hole centres (base)	75 mm
H Hole Sizes (base)	8.5 dia
I Hole Sizes (striker)	8.5 x 20 mm
J Length (striker)	72 mm
K Max height (not shown)	42 mm



9
2
0

OVER-CENTRE FASTENERS HEAVY DUTY APPLICATIONS

This robust catch incorporates a strong coil-spring which gives leveraged over-centre action against a stainless steel rod, mounted on a striker plate, with slotted mounting holes to allow for easy adjustment.

Cleverly designed as a diecast assembly for good appearance, the catch is generally used to secure fabricated covers or access doors on large earthmovers and similar applications. It is available in both locking and non-locking versions.



Base-plate is mounted on fixed member, striker plate is mounted on mating panel. The catch body is brought down so that operating 'claw' engages with striker pin, and the pivoted lever-handle is then pressed down to achieve over-centre action, forcing panels tightly together.



Action of lever-handle extends spring-loaded plunger, holding catch tightly in position and preventing 'rattle'. On locking versions, lock cylinder secures handle against striker plate.



Completely plant-on fixing, by bolts or rivets through mounting holes (slotted for adjustment on striker plate).



'FT' or optionally 'FS' key types. Non-locking version available.



Black powder-coated as standard. Optionally, clear zinc plated.



Special key types, key numbers, and sets.