

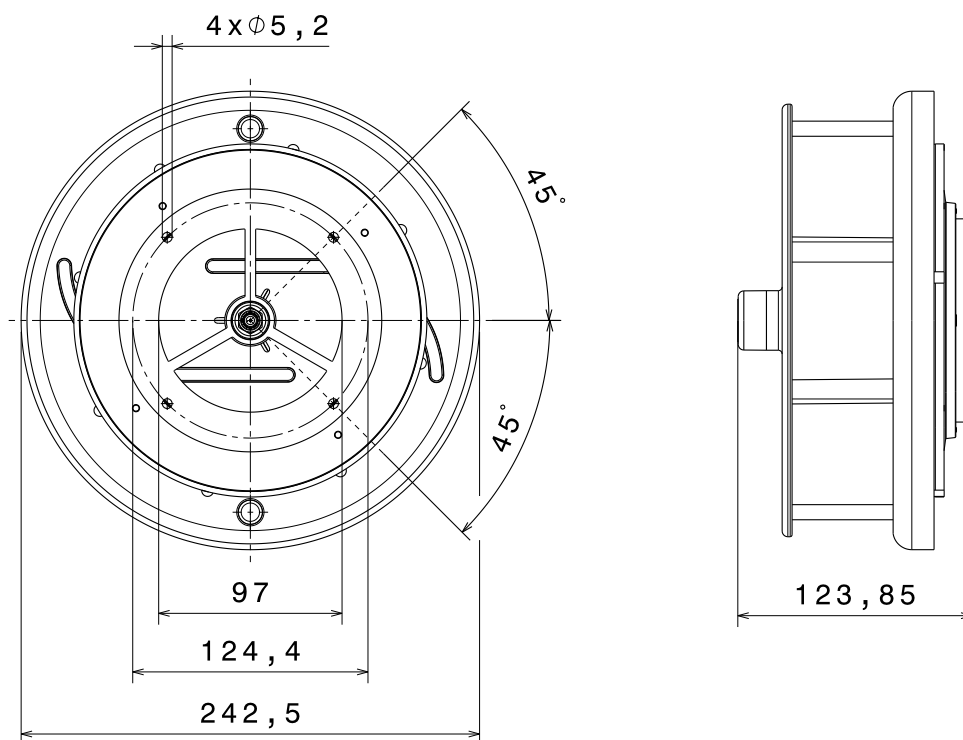
Lüfter Vents

HAPPICH GmbH

Lise-Meitner-Straße 14
42119 Wuppertal
Deutschland

Telefon +49 (0)202.87 03 – 0
Fax +49 (0)202.87 03 – 599
E-Mail info@happich.de

www.happich.de



590 0310 weiß (ähnlich RAL 9010)
590 0309 lichtgrau (ähnlich RAL 7035)

Rotierender Dachlüfter

**Fahrtwind betriebene Entlüftung
 ohne eigenen Antrieb**

Material: Kunststoff
 Max. zulässige Anströmgeschwindigkeit 170 km/h
 Gewicht: ca. 725 g/St.

VE 1 St.

590 0310 white (similar RAL 9010)
590 0309 lightgrey (similar RAL 7035)

Rotating roof ventilator

**Exhaust of air by air flow
 no built-in motor**

Material: Plastic
 Max. counterflow velocity 170 km/h
 Weight: approx. 725 g/each

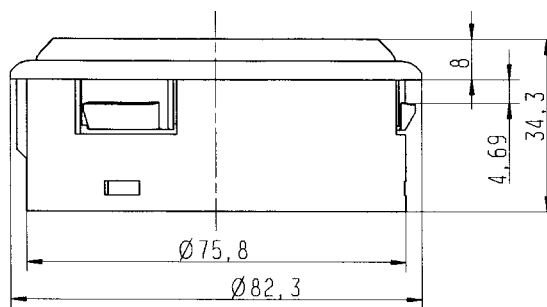
S.U. 1



Abb.1 / Illus. 1



Abb. 2/ Illus. 2



590 0192 (Abb. 1)
590 H864 (Abb. 2) Außenring silberfarben
 lackiert

VE 10 St.
 VE 270 St.

590 0192 (Illus. 1)
590 H864 (Illus. 2) outer ring silver-colored
 painted

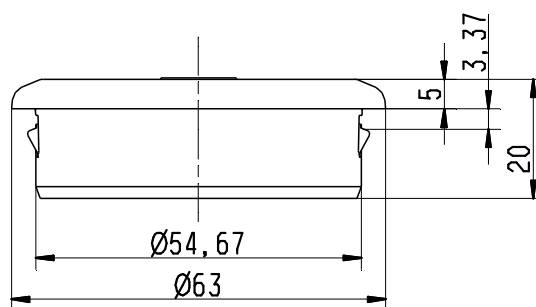
S.U. 10
 S.U. 270

Rundlüfter

stufenlos verstellbar
 Material: Kunststoff, schwarz
 35 g/St.

Round vent

infinitely adjustable
 Material: plastic, black
 35 g/each



590 0193

Rundlüfter

stufenlos verstellbar
 Material: Kunststoff, schwarz
 20 g/St.

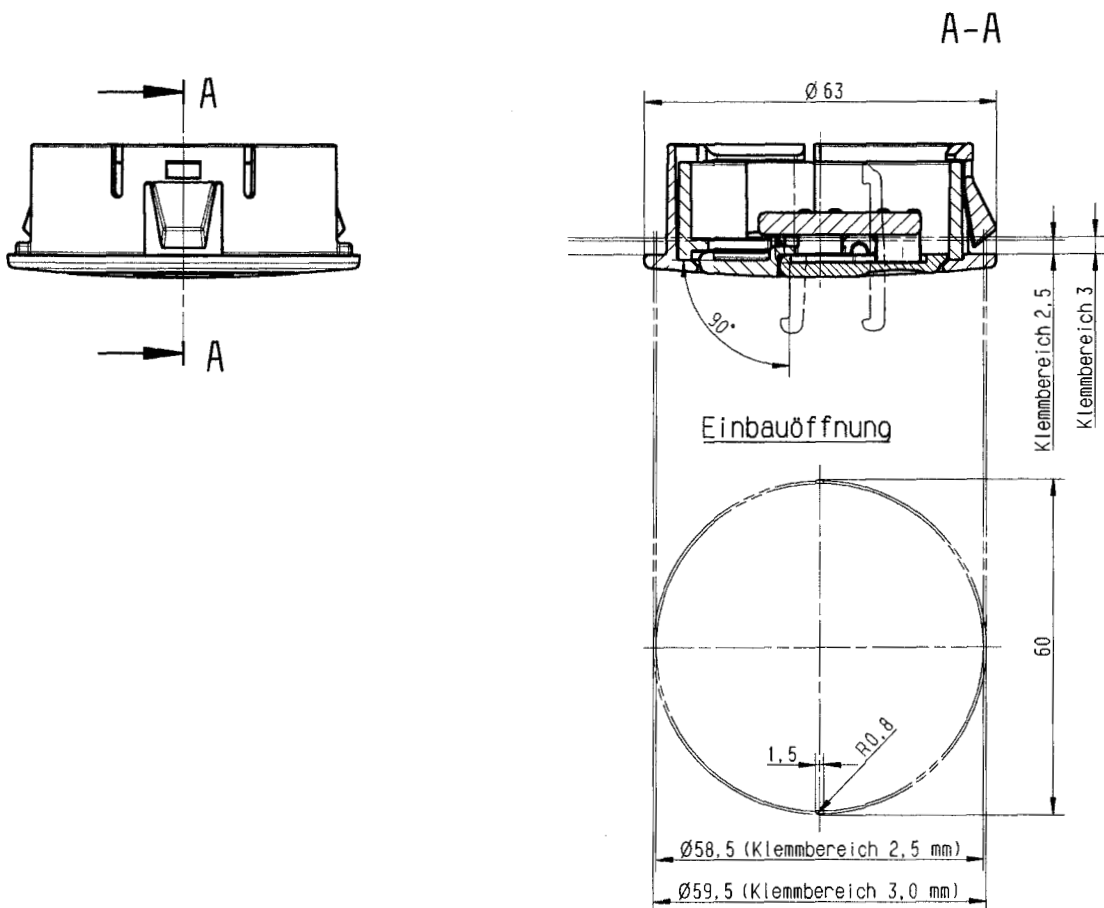
VE 10 St.

590 0193

Round vent

infinitely adjustable
 Material: plastic, black
 20 g/each

S.U. 10



590 0299

Rundlüfter

stufenlos verstellbar, drehbar
Material: Kunststoff, schwarz
21 g/St.

VE 10 St.

590 0299

Round vent

infinitely adjustable, rotatable
Material: plastic, black

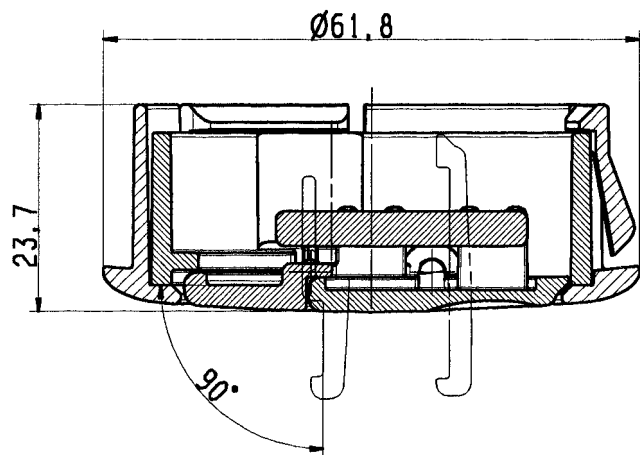
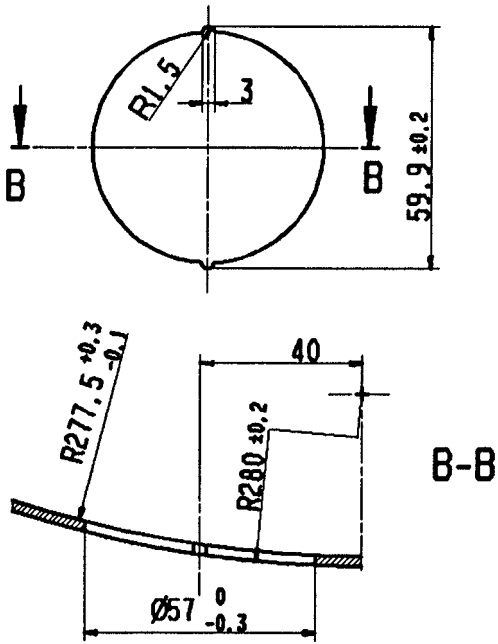
21 g/each

S.U. 10



Einbauöffnung / Installation aperture

Seitenansicht / Side view



590 H966 (auf Anfrage)

590 H966 (on request)

Rundlüfter für gewölbte Einbaulflächen

Round vent for arched assembly area

stufenlos verstellbar, drehbar
Material: Kunststoff, schwarz
20 g/St.

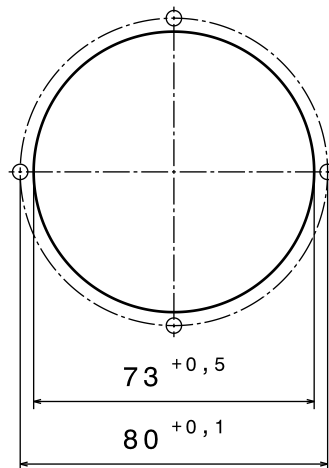
infinitely adjustable, rotatable
Material: plastic, black
20 g/each

VE 1 St.

S.U. 1



Einbauöffnung / Installation aperture
Bohrungen 3,7 mm / 3.7 mm drill holes



590 0276

Kugellüfter mit Abdeckung

Abdeckung: Kunststoff, schwarz
Kugellüfter: Kunststoff, Schwenkbereich 40°,
stufenlos verstellbar
Einbautiefe: max. 40 mm
Ausladung: 42 mm
94 g/St.

VE 1 St.

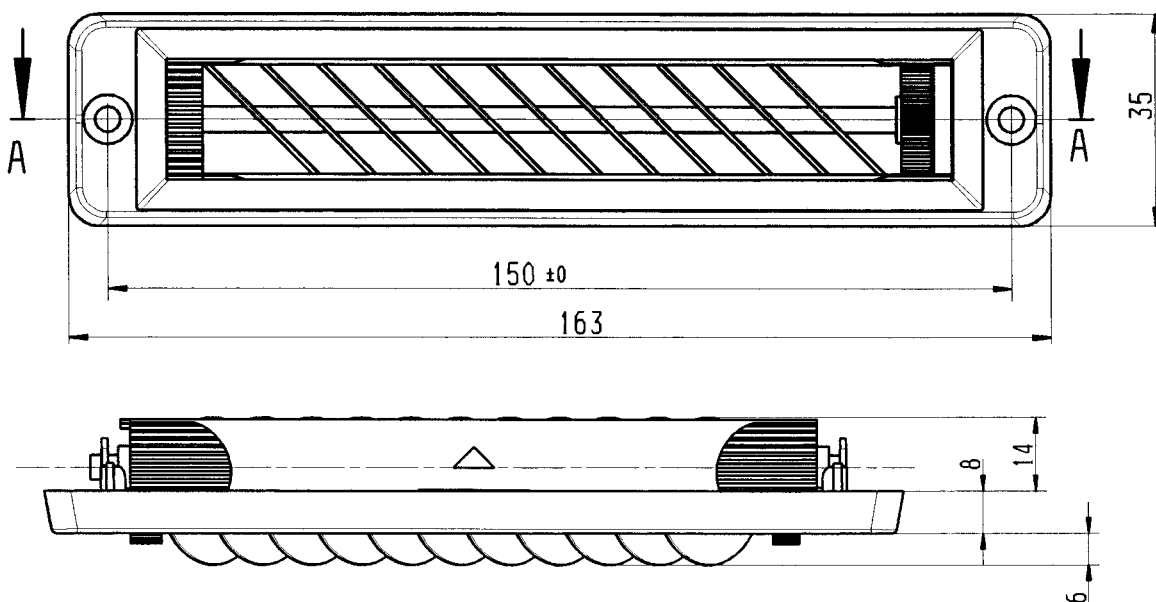
590 0276

Twin spherical vent assembly with cover

Cover: plastic, black
Spherical vent: plastic, swivelling range 40°,
infinitely adjustable
Installation depth: 40 mm max.
Projection: 42 mm

94 g/each

S.U. 1



590 0194

Walzenlüfter

Material: Kunststoff, schwarz
45 g/St.

VE 10 St.

590 0194

Rotary louvre

Material: plastic, black
45 g/each

S.U. 10



590 0061

Lüftungsschieber

Außenmaße: 250 x 70 mm
 Material: Aluminium, poliert
 60 g/St.

VE 10 St.

Auf Anforderung auch in anderen Abmessungen lieferbar.

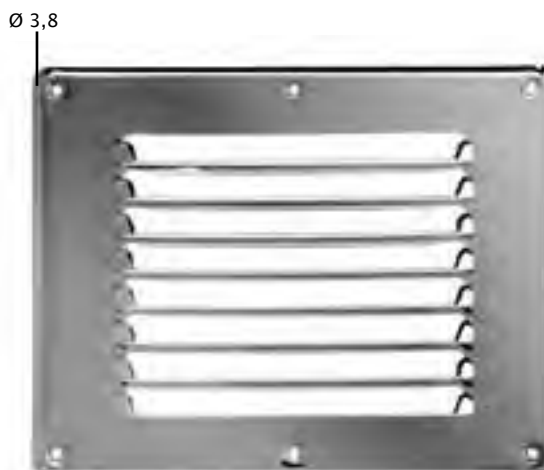
590 0061

Sliding vent

Overall dimensions: 250 x 70 mm
 Material: Aluminium, polished
 60 g/each

S.U. 10

Customised dimensions available on request.



590 0104

Kiemenlüfter

Außenmaße: ca. 265 x 210 mm
 Muschellänge: 180 mm
 Material: Aluminium, poliert
 147 g/St.

VE 10 St.

590 0104

Louvre plate

Overall dimensions: approx. 265 x 210 mm
 Louvre length 180 mm
 Material: Aluminium, polished
 147 g/each

S.U. 10



590 0125

Kiemenlüfter

Außenmaße: 255 x 115 mm
 Muschellänge: 97 mm
 mit gesicktem Rand
 Material: Aluminium, eloxiert
 82 g/St.

VE 10 St.

590 0125

Louvre plate

Overall dimensions: 255 x 115 mm
 Louvre length: 97 mm
 with beaded rim
 Material: Aluminium, anodised
 82 g/each

S.U. 10



590 0126

Kiemenlüfter

Außenmaße: 360 x 115 mm
 Muschellänge: 97 mm
 mit gesicktem Rand
 Material: Aluminium, eloxiert
 115 g/St.

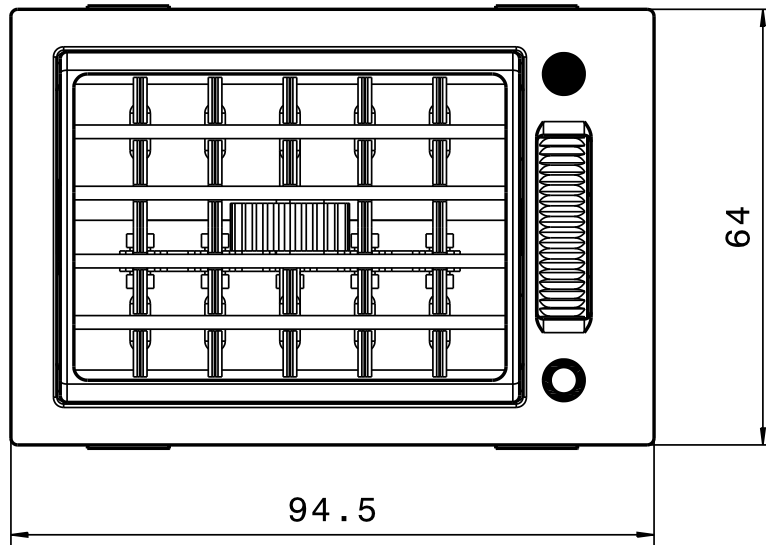
VE 10 St.

590 0126

Louvre plate

Overall dimensions: 360 x 115 mm
 Louvre length: 97 mm
 with beaded rim
 Material: Aluminium, anodised
 115 g/each

S.U. 10



590 H677 mittelgrau
590 H681 schwarz

VE 250 St.
 VE 10 St.

590 H677 medium grey
590 H681 black

S.U. 250
 S.U. 10

Rechtecklüfter

Material: Kunststoff
 85 g/St.

Rectangular vent

Material: plastic
 85 g/each



Lüfter Vent

HAPPICH-RIU S.A.

Avda. Maresme, 44 3^o-1^a
08918 Badalona
Spain

Phone +34 933 037 600
Fax +34 933 037 610
E- Mail acriu@acriu.com

www.happich-riu.com

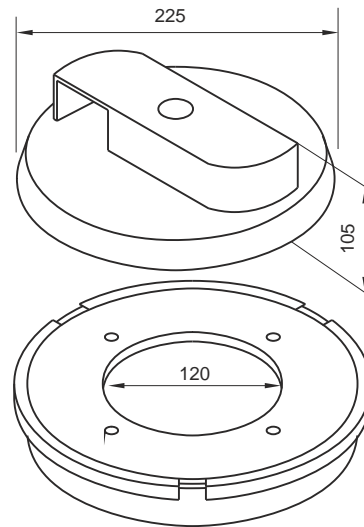


2789 00
ASPIRADOR FLETNER 2000
REJILLA INTERIOR GRADUABLE
ASPIRATOR FLETNER 2000
INTERNAL ADJUSTABLE GRID

Plástico negro
Black plastic

Peso / Weight 700 g

Extracción de Aire
Air extraction rate
4,64 m³/minuto a 65 km/h

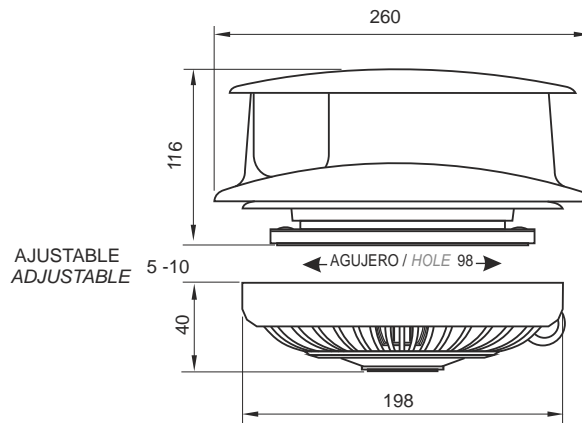


2789 50
ASPIRADOR FLETNER TCX
REJILLA INTERIOR GRADUABLE
ASPIRATOR FLETNER TCX
INTERNAL ADJUSTABLE GRID

Plástico gris
Gray plastic

Peso / Weight 1250 g

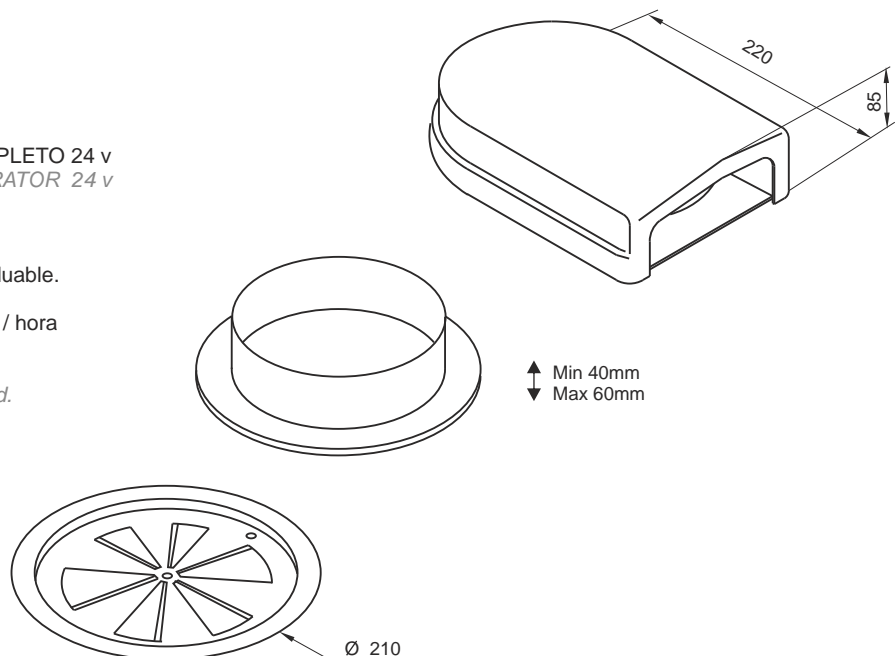
Extracción de Aire
Air extraction rate
2,28 m³/minuto a 65 km/h

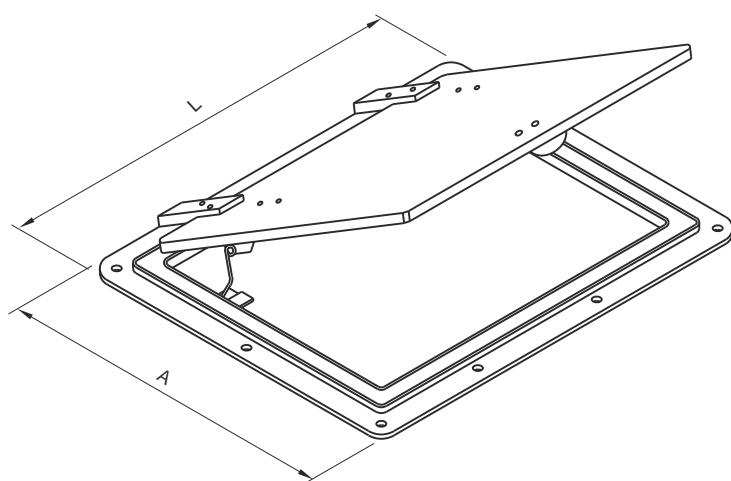


2793 24
ELECTRO ASPIRADOR COMPLETO 24 v
COMPLETE ELECTRO ASPIRATOR 24 v

Interruptor TRES posiciones :
Ventilador, Paro, Aspirador
Rejilla interior de aluminio graduable.
Diámetro interior 160 mm
Volumen de aspiracion 360 m³ / hora
THREE positions switch :
Ventilator , Stop, Aspirator
Adjustable aluminium inner grid.
Interior diameter 160 mm
Air capacity 360 m³ / hour

Peso / Weight 2150 g





TRAMPILLA DE AIREACION,
CIERRE A PRESION
SPRING LOADED FLAP
VENTILATION HATCH

	Medida Size L x A	Peso Weight
2807 02	240 x 150 mm	510 g
2807 05	266 x 215 mm	835 g
2807 08	337 x 260 mm	1200 g

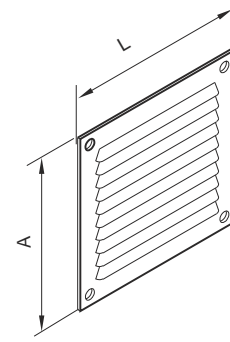
Marco de aluminio
Tapa de acero pintado negro
Aluminium frame
black painted steel lid



2820 11
REJILLAS
DE ALUMINIO ANODIZADO
ANODIZED ALUMINIUM GRIDS

A= 100 mm
L= 100 mm

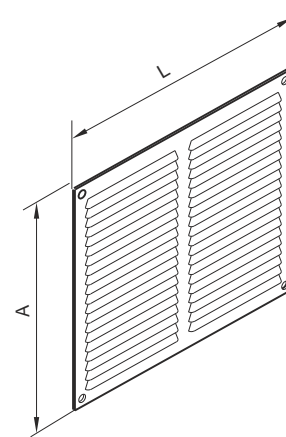
Peso / Weight 21 g



2820 15
REJILLAS
DE ALUMINIO ANODIZADO
ANODIZED ALUMINIUM GRIDS

A= 150 mm
L= 150 mm

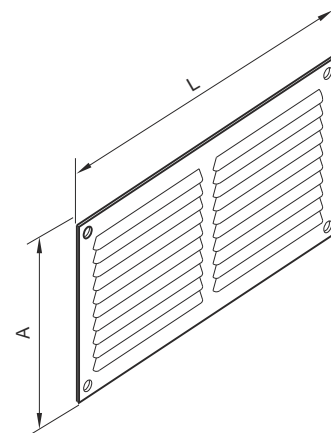
Peso / Weight 35 g



2820 21
REJILLAS
DE ALUMINIO ANODIZADO
ANODIZED ALUMINIUM GRIDS

A= 100 mm
L= 200 mm

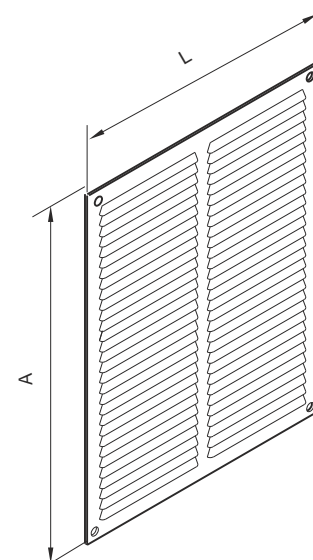
Peso / Weight 35 g

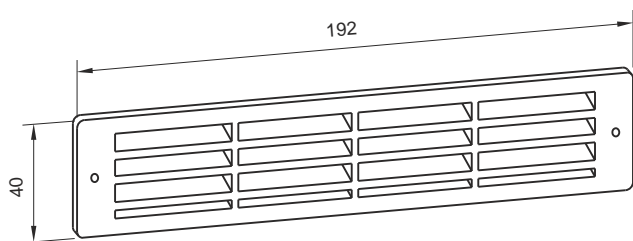


2820 22
REJILLAS
DE ALUMINIO ANODIZADO
ANODIZED ALUMINIUM GRIDS

A= 200 mm
L= 200 mm

Peso / Weight 42 g

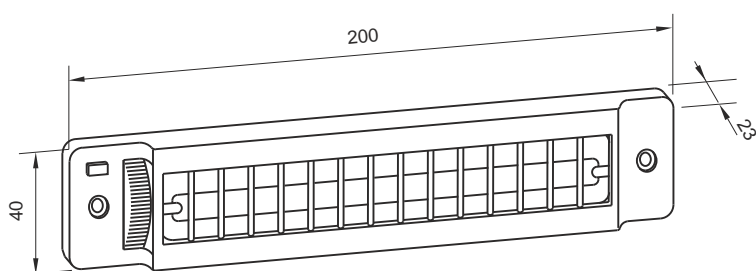




2825 00
REJILLA DE AIREACION
AERATION GRID

Plástico negro
Black plastic

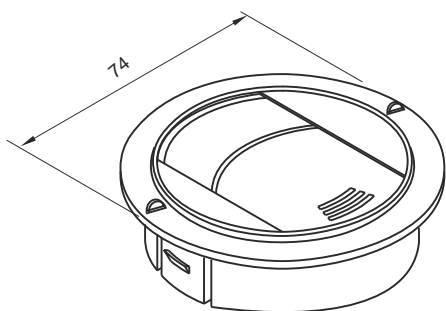
Peso / Weight 25 g



2835 00
REJILLA GRADUABLE
ADJUSTABLE GRID

Plástico negro
Black plastic

Peso / Weight 45 g



2840 00
DIFUSOR AIRE
REGULABLE 74 mm
ADJUSTABLE
AIR NOZZLE 74 mm

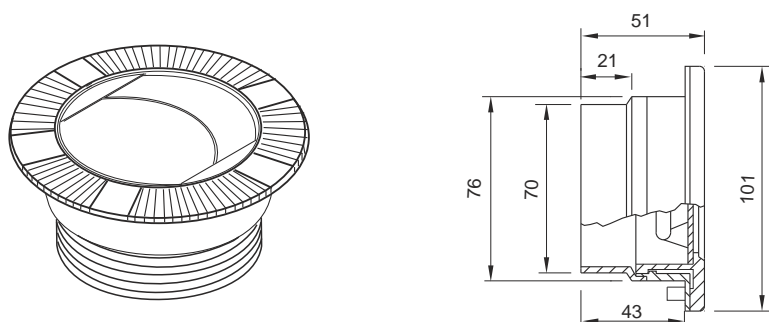
Plástico negro / Black plastic

Peso / Weight 18 g

2840 10
DIFUSOR AIRE
REGULABLE 74 mm
ADJUSTABLE
AIR NOZZLE 74 mm

Plástico gris / Grey plastic

Peso / Weight 18 g



2844 00
DIFUSOR AIRE 101 mm
AIR NOZZLE 101 mm

Poliamida negra
Black polyamide

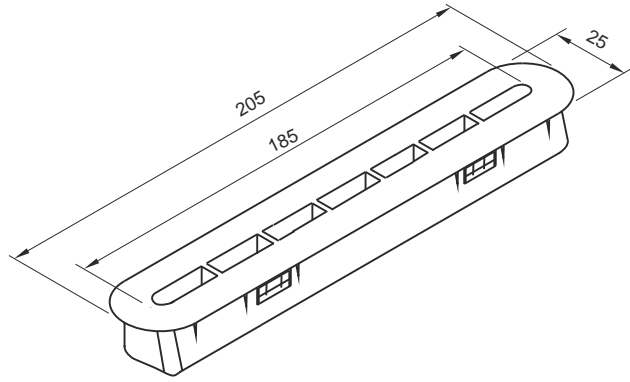
Peso / Weight 78 g



2826 00
REJILLA AIREACION CRISTAL
INCLINADA
GLASS AIR BOWED
OUT-LET GRID

Plástico ABS color negro
Plastic ABS black colour

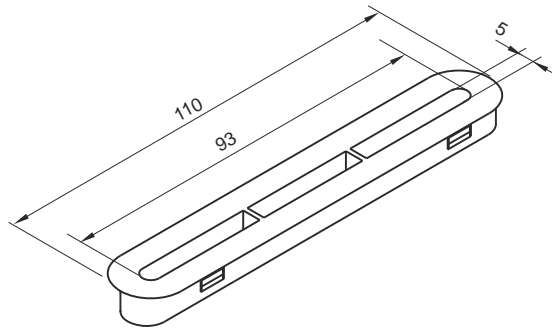
Peso / Weight 27 g



2848 00
REJILLA AIREACION CRISTAL
RECTA
GLASS AIR STRAIGHT
OUT-LET GRID

Plástico ABS negro
Black plastic ABS

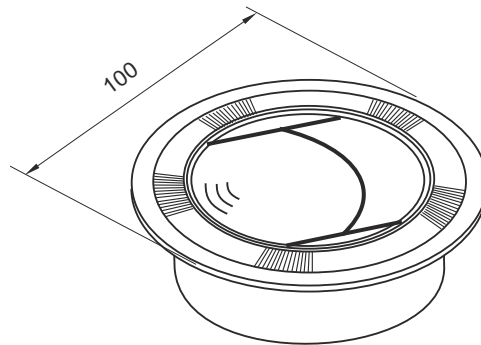
Peso / Weight 16 g



2837 00
DIFUSOR DE AIRE REGULABLE
ADJUSTABLE AIR NOZZLE

Plástico negro
Black plastic

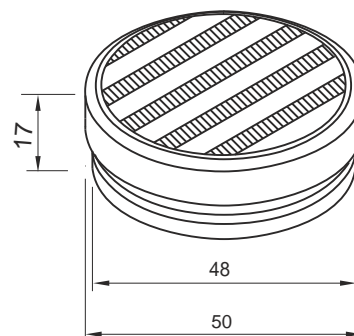
Peso / Weight 55 g

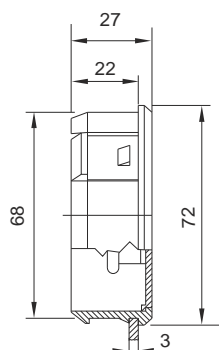
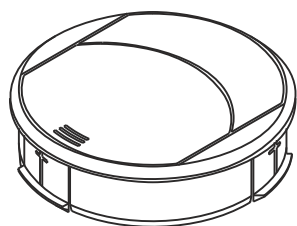


2847 00
REJILLA RECAMBIO
DIFUSOR 50 mm
SPARE AIR NOZZLE
PART 50 mm

ABS negro
Black ABS

Peso / Weight 12 g

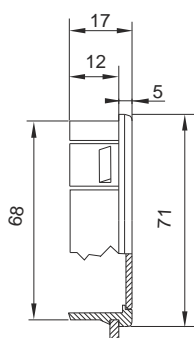
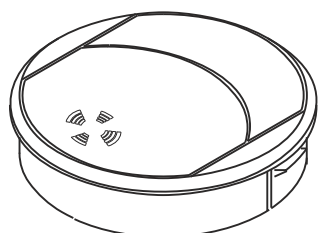




2843 00
DIFUSOR AIRE 72 mm
AIR NOZZLE

Poliamida negra
Black polyamide

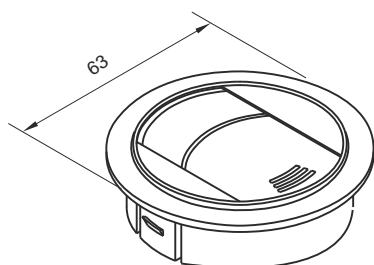
Peso / Weight 21 g



2838 00
DIFUSOR AIRE 71 mm
AIR NOZZLE

Poliamida gris
Grey polyamide

Peso / Weight 20 g



2841 00
DIFUSOR DE AIRE REGULABLE
ADJUSTABLE AIR NOZZLE

Plástico negro
Black plastic

Peso / Weight 15 g

2841 10
DIFUSOR DE AIRE REGULABLE
ADJUSTABLE AIR NOZZLE

Plástico gris
Gray plastic

Peso / Weight 15 g

Lüfter Vent

Weston Body Hardware Ltd.

Crossgate Road
Park Farm Redditch B98 7SN
United Kingdom

Phone +44(0)1527 5160600

Fax +44(0)1527 5260600

E-Mail lockmaster@westonbodyhardware.com

www.westonbodyhardware.com



NEW MODEL ROTARY VENTILATOR WITH INSIDE GRILLE & ADAPTOR

WBH is delighted to introduce a new rotary ventilator, under exclusive UK licence from our long-time trading partner, UES International, of Australia.

The new model is better-looking and up to 25% more efficient in removing stale air from within a vehicle. Most significantly, however, UES has now created an inside adaptor-ring, allowing neat and easy installation of an inside grille, concealing all fixing screws and making the ventilator entirely suitable for mini-buses and other 'prestige' applications

! Construction prevents entry of rain, dust, and down-draughts. Air-scoop revolves on two steel bearings and will catch breeze even in stationary (exterior) locations. Quiet in operation with excellent rate of air-movement.

W Rotary scoop drives extraction fan, sucking air from inside vehicle compartment.

H Ventilator in black or white self-colour, adaptor & grille in black only.

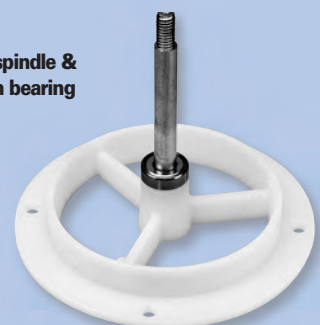
M Four stainless screws/nuts provided & clips for inside grille.

H Black self-colour moulded ventilator as standard (white & grey as options). White base, and white moulded grille.

M Moulded in ABS with two steel bearings and stainless steel centre-shift

£ Highly competitive against market prices.

Base, spindle & bottom bearing



ORDERING CODE

9/01855 Ventilator only, black

9/01856 Ventilator only, white

9/01857 Adaptor & grille, black

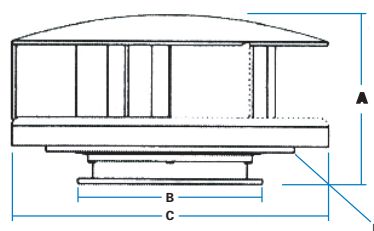
Air-Extraction

Vehicle Speed		Volume	
MPH	KPH	Cu. ft/min	Cu. M/min
20	12	0.75	26
40	25	1.72	61
60	38	2.55	90
80	50	3.45	122
100	62	4.27	151
120	75	4.70	167
140	87	5.10	180

Installation Instructions

Remove moulded top cap, unscrew locknut and separate scoop from base. This can now be attached to outside roof around pre-cut 96mm diameter hole in panel, using four screws provided. On inside, fit adaptor ring to screws and secure with nuts. Re-assemble scoop and tighten centre locknut. Inside grille fits onto adaptor and is secured with clips provided.

SPECIFICATION



A Height (maximum)	120 mm
B Base diameter	140 mm
C Scoop diameter	240 mm
D Grille outer diameter	160 mm
E Depth of adaptor/grille	30 mm
F Hole centres (across base)	124 mm
F Hole sizes (dia)	5 mm, c/s 8 mm

wieght of Unit 660 grams (1.5lb)